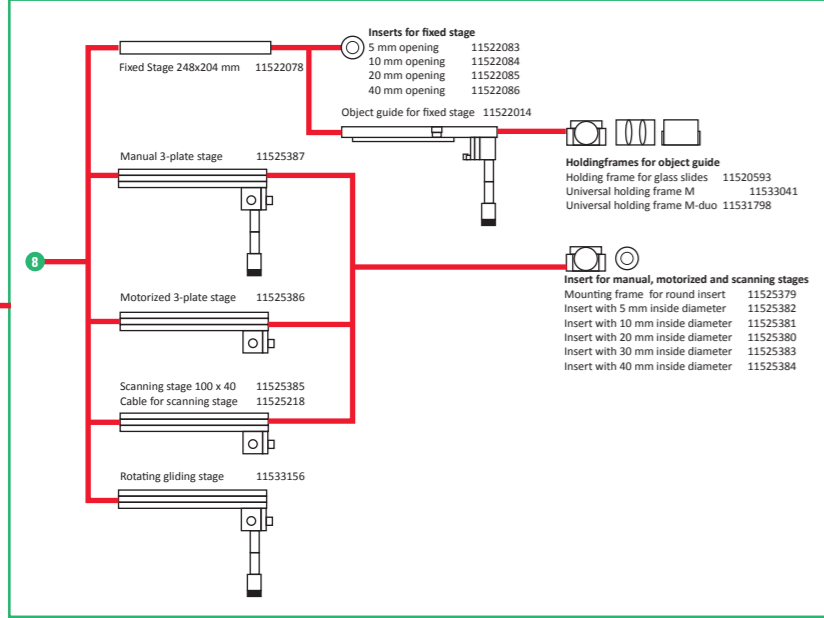


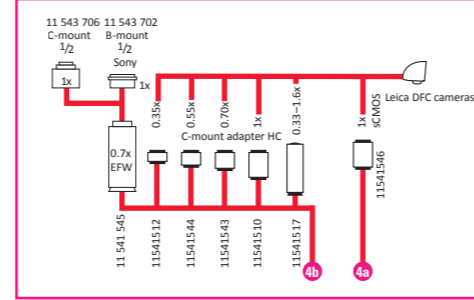
System Overview

Leica DMi8 M/C/A

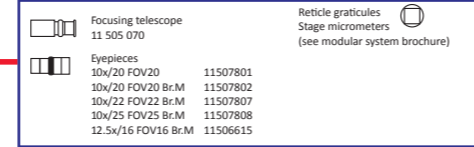
Stages



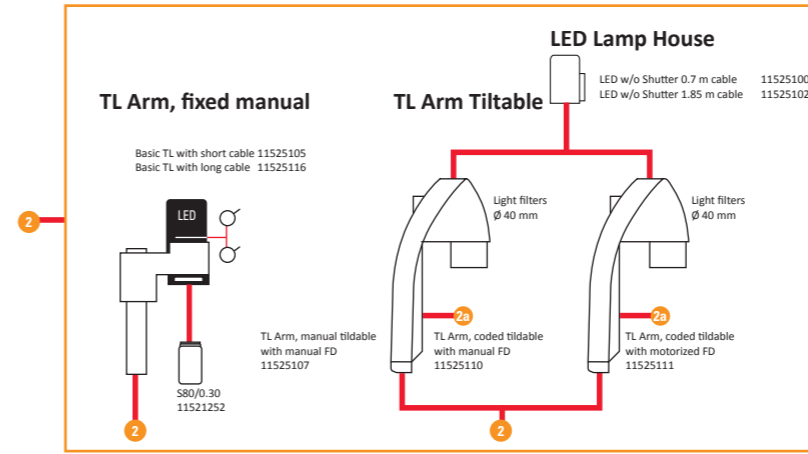
Camera Adapter



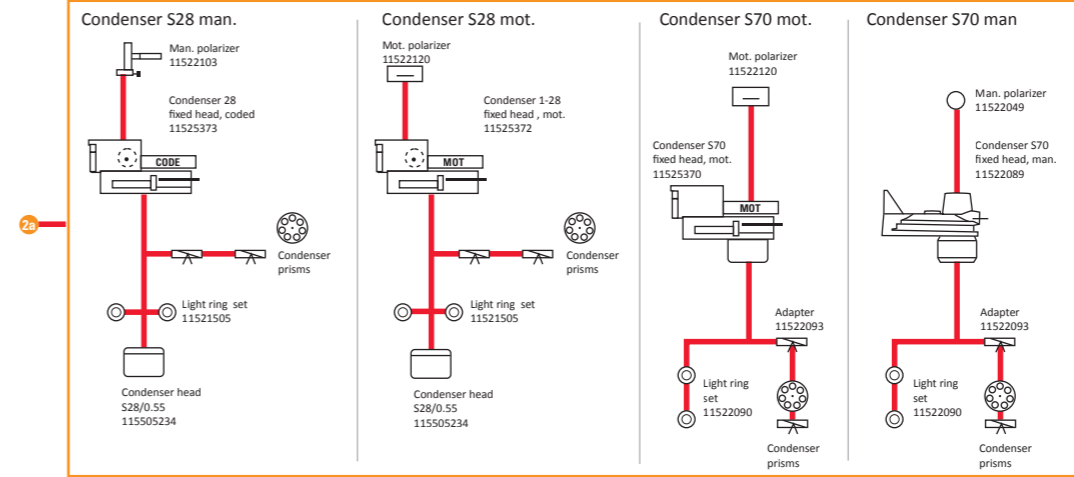
Eyepieces



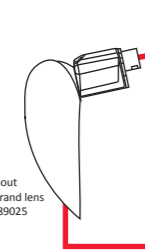
Transmitted-Light Arms



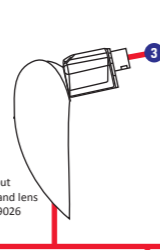
Condensers



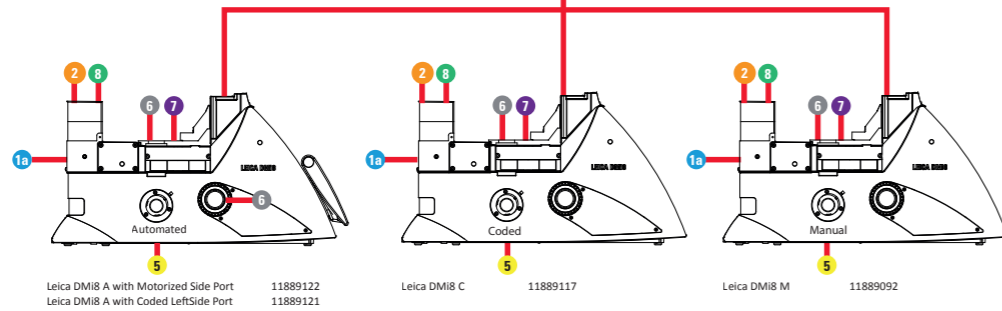
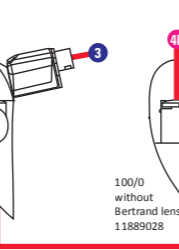
Bino FixTube



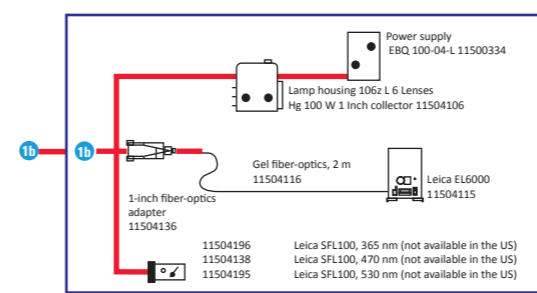
Bino ErgoTube



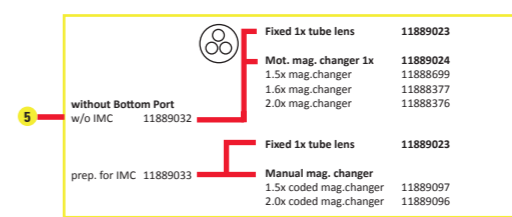
Trino ErgoTubes



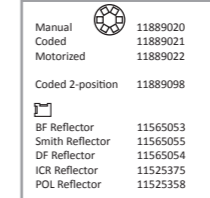
Fluorescence Lamp Housings



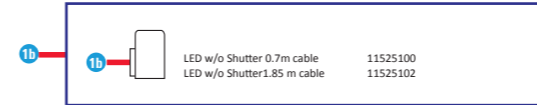
Optic Carrier/Mag. Changer



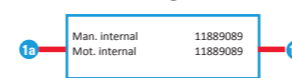
Reflector Turret



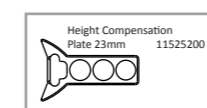
Incident Light LED Lamp Housings



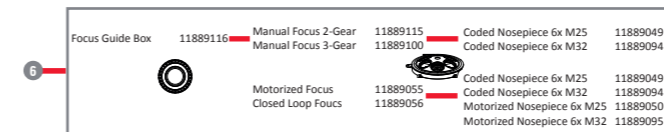
Incident Light Axis



Ergonomic Base Plate

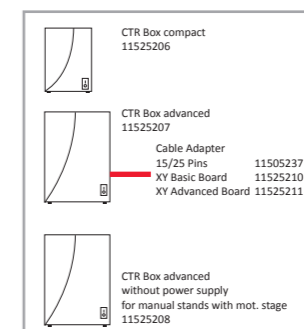


Focus

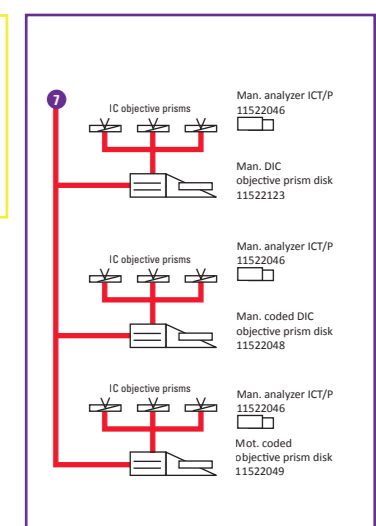


Nosepiece

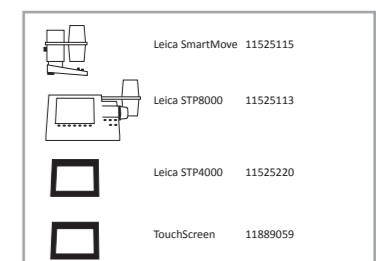
CTR Boxes



DIC systems



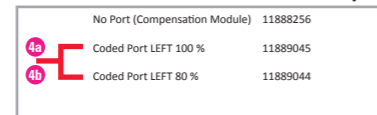
Control Elements



Mot. Side Ports for Leica DMi8 A



Coded Side Ports for Leica DMi8 C/A



Manual Side Ports for Leica DMi8 M/C

