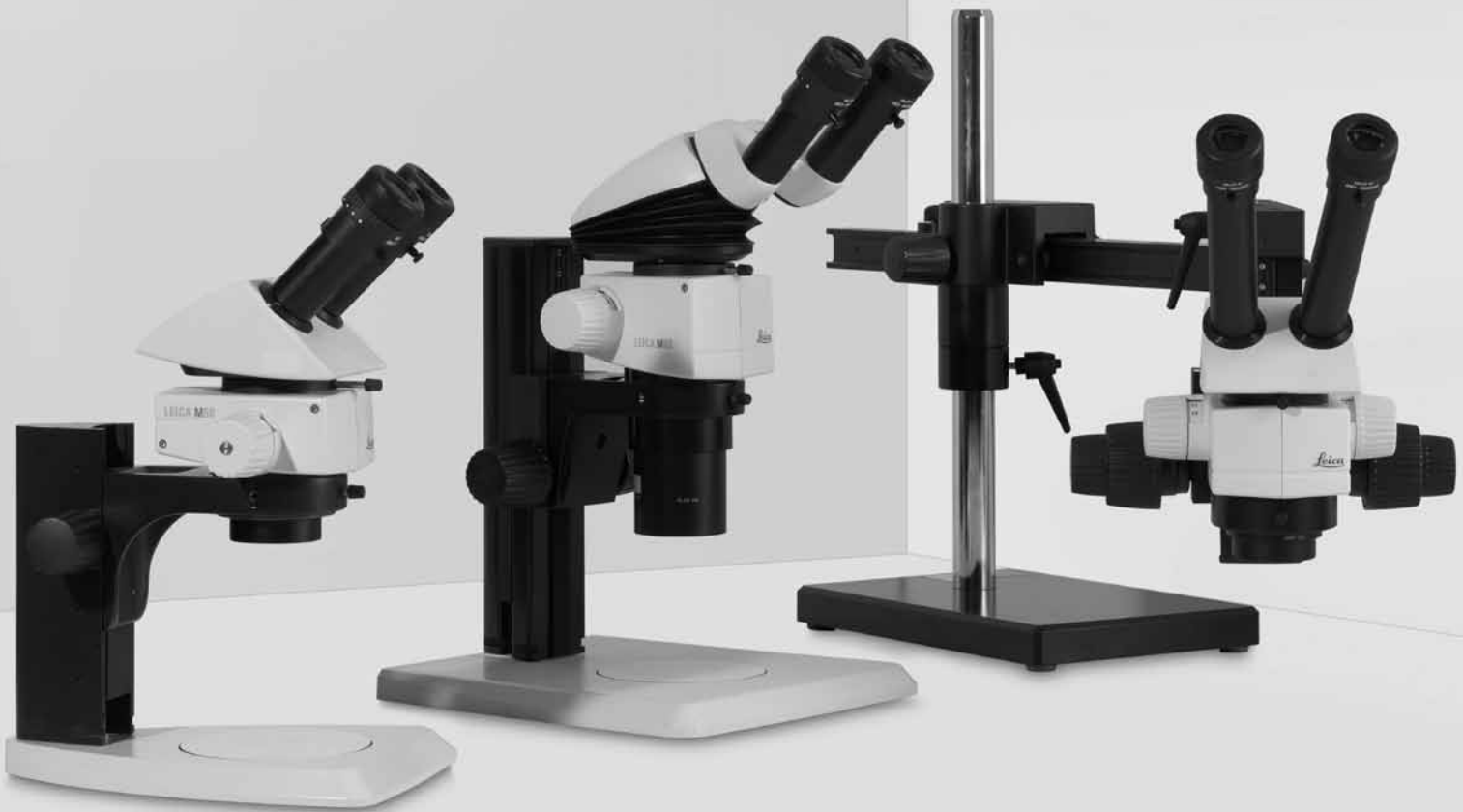


Living up to Life

Leica
MICROSYSTEMS

Leica M50, M60 & M80

Stereomicroscopes Technical Information



Technical Data/ Performance Characteristics



	Leica M50	Leica M60	Leica M80
Optical Data			
Zoom	5:1 manual, stage changer	6:1 manual, zoom	8:1 manual, zoom
Data with standard optics (1× objective/10× eyepieces)			
– Zoom range	Five stages: 6.3×, 10×, 16×, 25×, 40×	6.3×–40×	7.5×–60×
– Resolution	225lp/mm	225lp/mm	309lp/mm
– Working distance	89.6 mm (achromatic 1×)	89.6 mm (achromatic 1×)	83.4 mm (planachromatic 1×)
– Object field	∅ 5.75 mm–36.5 mm	∅ 5.75 mm–36.5 mm	∅ 3.8 mm–30.7 mm
Maximum values (based on optics combination)			
– Magnification	320×	320×	480×
– Resolution	450lp/mm	450lp/mm	618lp/mm
– Visible structural width	1.11µm	1.11µm	0.81µm
– Numerical aperture	0.15	0.15	0.206
– Object field	∅ 116.8 mm	∅ 116.8 mm	∅ 98 mm
Working distances	303 mm (achromatic 0.32×) 188.5 mm (achromatic 0.5×) 148 mm (achromatic 0.63×) 114 mm (achromatic 0.8×) 89.6 mm (achromatic 1×) 65.5 mm (achromatic 1.25×) 46 mm (achromatic 1.6×) 27.4 mm (achromatic 2.0×) 106.9 mm (planachromatic 0.8×) 83.4 mm (planachromatic 1.0×) 41.5 mm (planachromatic 1.6×)	303 mm (achromatic 0.32×) 188.5 mm (achromatic 0.5×) 148 mm (achromatic 0.63×) 114 mm (achromatic 0.8×) 89.6 mm (achromatic 1×) 65.5 mm (achromatic 1.25×) 46 mm (achromatic 1.6×) 27.4 mm (achromatic 2.0×) 106.9 mm (planachromatic 0.8×) 83.4 mm (planachromatic 1.0×) 41.5 mm (planachromatic 1.6×)	303 mm (achromatic 0.32×) 188.5 mm (achromatic 0.5×) 148 mm (achromatic 0.63×) 114 mm (achromatic 0.8×) 89.6 mm (achromatic 1×) 65.5 mm (achromatic 1.25×) 46 mm (achromatic 1.6×) 27.4 mm (achromatic 2.0×) 106.9 mm (planachromatic 0.8×) 83.4 mm (planachromatic 1.0×) 41.5 mm (planachromatic 1.6×)
Optics carrier			
Design principle	Multiple-coated optical system with two parallel beam paths and one main objective (CMO), lead-free		
Specific surface resistivity (housing)	2×10 ¹¹ Ω/mm ² discharge time <2 seconds from 1000V to 100V	2×10 ¹¹ Ω/mm ² discharge time <2 seconds from 1000V to 100V	2×10 ¹¹ Ω/mm ² discharge time <2 seconds from 1000V to 100V
Engageable zoom notches	–	7 switchable positions for repetitive tasks	8 switchable positions for repetitive tasks

	Leica M50	Leica M60	Leica M80
Accessories			
Standard objective	Achromatic 1×	Achromatic 1×	Planachr. 1×
Additional objectives	Achromat: 0.32×, 0.5×, 0.63×, 0.8×, 1×, 1.25×, 1.6×, 2× Planachromat: 0.8×, 1×, 1.6×		
Binocular tubes, ergonomics	Various ErgoModules®, ErgoTube® with variable viewing angle 10°–50°		
Interpupillary distance	Variable		
Wide-field eyepieces for eyeglass wearers	0×, 16×, 25×, 40×, with replaceable eyecups and click stop		

Modular System

	Leica M50, M60 and M80
	Stands, illuminators
Transmitted light stands	For bright field and bright/dark field, high-performance base: Bright field, single-sided dark field, with Rottermann Contrast and CCIC
Incident light stand	Incident light base with black/white stage plate and Antishock™ feet
Stages	Gliding stage, MATS heating stages, cup stage, rotatable polarization stage, Leica IsoPro™ cross-stage (manual and motorized)
Illuminators	Cold light sources, LED3000 NVI™ and LED5000 CXI™, LED5000 MCI™, LED3000 RL, KL200 LED
	Misc. accessories
Photography, video	Digital image capture systems from Leica, various camera variants, e.g., integrated Leica IC 80 HD or external DFC295, various adapters for commercially available analog and digital cameras
Image archiving, image processing	Leica Application Suite (LAS) software, consisting of basic program and various auxiliary modules
Measurement graticules	For length measurement and counting
Drawing tube	For left and right-handed users
Discussion tube for training for two observers	For two observers

Leica M50 / M60 Optical Data

Objectives		Achr. 0.32×		Achr. 0.5×		Achr. 0.63×		Achr. 0.8×		Planachr. 0.8×		Achr. 1.0×		Planachr. 1.0×		Achr. 1.25×		Achr. 1.6×		Planachr. 1.6×		Achr. 2.0×	
Working distance		303 mm		188.5 mm		148.2 mm		114 mm	107 mm	89.6 mm	83.4 mm	65.5 mm		46 mm	41.5 mm	27.4 mm							
Eyepiece	Mag. level	Total mag.	Obj. field	Total mag.	Obj. field	Total mag.	Obj. field	Total mag.	Obj. field	Total mag.	Obj. field	Total mag.	Obj. field	Total mag.	Obj. field	Total mag.	Obj. field	Total mag.	Obj. field	Total mag.	Obj. field	Total mag.	Obj. field
		×	∅	×	∅	×	∅	×	∅	×	∅	×	∅	×	∅	×	∅	×	∅	×	∅	×	∅
10×/23B	0.63	1.97	116.8	3.15	73	3.94	58.4	5.04	45.6	6.3	36.5	7.88	29.2	10.1	22.8	12.6	18.3						
	1.0	3.13	73.6	5	46	6.25	36.8	8	28.8	10	23	12.5	18.4	16	14.4	20	11.5						
	1.6	5	46	8	28.8	10	23	12.8	18	16	14.4	20	11.5	25.6	8.98	32	7.19						
	2.5	7.81	29.4	12.5	18.4	15.6	14.7	20	11.5	25	9.2	31.3	7.36	40	5.75	50	4.6						
	4.0	12.5	18.4	20	11.5	25	9.2	32	7.19	40	5.75	50	4.6	64	3.59	80	2.88						
16×/15B	0.63	3.15	76.2	5.04	47.6	6.3	38.1	8.06	29.8	10.1	23.8	12.6	19	16.1	14.9	20.2	11.9						
	1.0	5	48	8	30	10	24	12.8	18.8	16	15	20	12	25.6	9.38	32	7.5						
	1.6	8	30	12.8	18.8	16	15	20.5	11.7	25.6	9.38	32	7.5	41	5.86	51.2	4.69						
	2.5	12.5	19.2	20	12	25	9.6	32	7.5	40	6	50	4.8	64	3.75	80	3						
	4.0	20	12	32	7.5	40	6	51.2	4.69	64	3.75	80	3	102	2.34	128	1.88						
25×/10B	0.63	4.92	50.8	7.88	31.7	9.84	25.4	12.6	19.8	15.8	15.9	19.7	12.7	25.2	9.92	31.5	7.94						
	1.0	7.81	32	12.5	20	15.6	16	20	12.5	25	10	31.3	8	40	6.25	50	5						
	1.6	12.5	20	20	12.5	25	10	32	7.81	40	6.25	50	5	64	3.91	80	3.13						
	2.5	19.5	12.8	31.3	8	39.1	6.4	50	5	62.5	4	78.1	3.2	100	2.5	125	2						
	4.0	31.3	8	50	5	62.5	4	80	3.13	100	2.5	125	2	160	1.56	200	1.25						
40×/6B	0.63	7.88	30.5	12.6	19	15.8	15.2	20.2	11.9	25.2	9.52	31.5	7.62	40.3	5.95	50.4	4.76						
	1.0	12.5	19.2	20	12	25	9.6	32	7.5	40	6	50	4.8	64	3.75	80	3						
	1.6	20	12	32	7.5	40	6	51.2	4.69	64	3.75	80	3	102	2.34	128	1.88						
	2.5	31.3	7.68	50	4.8	62.5	3.84	80	3	100	2.4	125	1.92	160	1.5	200	1.2						
	4.0	50	4.8	80	3	100	2.4	128	1.88	160	1.5	200	1.2	256	0.938	320	0.75						

Leica M80 Optical Data

Objectives		Achr. 0.32×		Achr. 0.5×		Achr. 0.63×		Achr. 0.8×		Planachr. 0.8×		Achr. 1.0×		Planachr. 1.0×		Achr. 1.25×		Achr. 1.6×		Planachr. 1.6×		Achr. 2.0×	
Working distance		303 mm		188.5 mm		148.2 mm		114 mm		106.9 mm		89.6 mm		83.4 mm		65.5 mm		46 mm		41.5 mm		27.4 mm	
Eyepiece	Zoom setting	Total mag. ×	Obj. field Ø	Total mag. ×	Obj. field Ø	Total mag. ×	Obj. field Ø	Total mag. ×	Obj. field Ø	Total mag. ×	Obj. field Ø	Total mag. ×	Obj. field Ø	Total mag. ×	Obj. field Ø	Total mag. ×	Obj. field Ø	Total mag. ×	Obj. field Ø	Total mag. ×	Obj. field Ø	Total mag. ×	Obj. field Ø
10×/23B	0.75	2.34	98.1	3.75	61.3	4.69	49.1	6.0	38.3	7.5	30.7	9.38	24.5	12.0	19.2	15.0	15.3						
	1.0	3.13	73.6	5.0	46	6.25	36.8	8.0	28.8	10.0	23	12.5	18.4	16.0	14.4	20.0	11.5						
	1.25	3.91	58.9	6.25	36.8	7.81	29.4	10.0	23	12.5	18.4	15.6	14.7	20.0	11.5	25.0	9.2						
	1.6	5.0	46	8.0	28.8	10.0	23	12.8	18	16.0	14.4	20.0	11.5	25.6	8.98	32.0	7.19						
	2.0	6.25	36.8	10.0	23	12.5	18.4	16.0	14.4	20.0	11.5	25.0	9.2	32.0	7.19	40.0	5.75						
	2.5	7.81	29.4	12.5	18.4	15.6	14.7	20.0	11.5	25.0	9.2	31.3	7.36	40.0	5.75	50.0	4.6						
	3.2	10.0	23	16.0	14.4	20.0	11.5	25.6	8.98	32.0	7.19	40.0	5.75	51.2	4.49	64.0	3.59						
	4.0	12.5	18.4	20.0	11.5	25.0	9.2	32.0	7.19	40.0	5.75	50.0	4.6	64.0	3.59	80.0	2.88						
	5.0	15.6	14.7	25.0	9.2	31.3	7.36	40.0	5.75	50.0	4.6	62.5	3.68	80.0	2.88	100.0	2.3						
6.0	18.8	12.3	30.0	7.67	37.5	6.13	48.0	4.79	60.0	3.83	75.0	3.07	96.0	2.4	120.0	1.92							
16×/15B	0.75	3.75	64	6.0	40	7.5	32	9.6	25	12.0	20	15.0	16	19.2	12.5	24.0	10						
	1.0	5.0	48	8.0	30	10.0	24	12.8	18.8	16.0	15	20.0	12	25.6	9.38	32.0	7.5						
	1.25	6.25	38.4	10.0	24	12.5	19.2	16.0	15	20.0	12	25.0	9.6	32.0	7.5	40.0	6						
	1.6	8.0	30	12.8	18.8	16.0	15	20.5	11.7	25.6	9.38	32.0	7.5	41.0	5.86	51.2	4.69						
	2.0	10.0	24	16.0	15	20.0	12	25.6	9.38	32.0	7.5	40.0	6	51.2	4.69	64.0	3.75						
	2.5	12.5	19.2	20.0	12	25.0	9.6	32.0	7.5	40.0	6	50.0	4.8	64.0	3.75	80.0	3						
	3.2	16.0	15	25.6	9.38	32.0	7.5	41.0	5.86	51.2	4.69	64.0	3.75	81.9	2.93	102.0	2.34						
	4.0	20.0	12	32.0	7.5	40.0	6	51.2	4.69	64.0	3.75	80.0	3	102.0	2.34	128.0	1.88						
	5.0	25.0	9.6	40.0	6	50.0	4.8	64.0	3.75	80.0	3	100.0	2.4	128.0	1.88	160.0	1.5						
6.0	30.0	8	48.0	5	60.0	4	76.8	3.13	96.0	2.5	120.0	2	154.0	1.56	192.0	1.25							
25×/10B	0.75	5.86	42.7	9.38	26.7	11.7	21.3	15.0	16.7	18.8	13.3	23.4	10.7	30.0	8.33	37.5	6.67						
	1.0	7.81	32	12.5	20	15.6	16	20.0	12.5	25.0	10	31.3	8	40.0	6.25	50.0	5						
	1.25	9.77	25.6	15.6	16	19.5	12.8	25.0	10	31.3	8	39.1	6.4	50.0	5	62.5	4						
	1.6	12.5	20	20.0	12.5	25.0	10	32.0	7.81	40.0	6.25	50.0	5	64.0	3.91	80.0	3.13						
	2.0	15.6	16	25.0	10	31.3	8	40.0	6.25	50.0	5	62.5	4	80.0	3.13	100.0	2.5						
	2.5	19.5	12.8	31.3	8	39.1	6.4	50.0	5	62.5	4	78.1	3.2	100.0	2.5	125.0	2						
	3.2	25.0	10	40.0	6.25	50.0	5	64.0	3.91	80.0	3.13	100.0	2.5	128.0	1.95	160.0	1.56						
	4.0	31.3	8	50.0	5	62.5	4	80.0	3.13	100.0	2.5	125.0	2	160.0	1.56	200.0	1.25						
	5.0	39.1	6.4	62.5	4	78.1	3.2	100.0	2.5	125.0	2	156.0	1.6	200.0	1.25	250.0	1						
6.0	46.9	5.33	75.0	3.33	93.8	2.67	120.0	2.08	150.0	1.67	188.0	1.33	240.0	1.04	300.0	0.833							
40×/6B	0.75	9.38	25.6	15.0	16	18.8	12.8	24.0	10	30.0	8	37.5	6.4	48.0	5	60.0	4						
	1.0	12.5	19.2	20.0	12	25.0	9.6	32.0	7.5	40.0	6	50.0	4.8	64.0	3.75	80.0	3						
	1.25	15.6	15.4	25.0	9.6	31.3	7.68	40.0	6	50.0	4.8	62.5	3.84	80.0	3	100.0	2.4						
	1.6	20.0	12	32.0	7.5	40.0	6	51.2	4.69	64.0	3.75	80.0	3	102.0	2.34	128.0	1.88						
	2.0	25.0	9.6	40.0	6	50.0	4.8	64.0	3.75	80.0	3	100.0	2.4	128.0	1.88	160.0	1.5						
	2.5	31.3	7.68	50.0	4.8	62.5	3.84	80.0	3	100.0	2.4	125.0	1.92	160.0	1.5	200.0	1.2						
	3.2	40.0	6	64.0	3.75	80.0	3	102.0	2.34	128.0	1.88	160.0	1.5	205.0	1.17	256.0	0.938						
	4.0	50.0	4.8	80.0	3	100.0	2.4	128.0	1.88	160.0	1.5	200.0	1.2	256.0	0.938	320.0	0.75						
	5.0	62.5	3.84	100.0	2.4	125.0	1.92	160.0	1.5	200.0	1.2	250.0	0.96	320.0	0.75	400.0	0.6						
6.0	75.0	3.2	120.0	2	150.0	1.6	192.0	1.25	240.0	1	300.0	0.8	384.0	0.625	480.0	0.5							

Major User Segments

Natural science

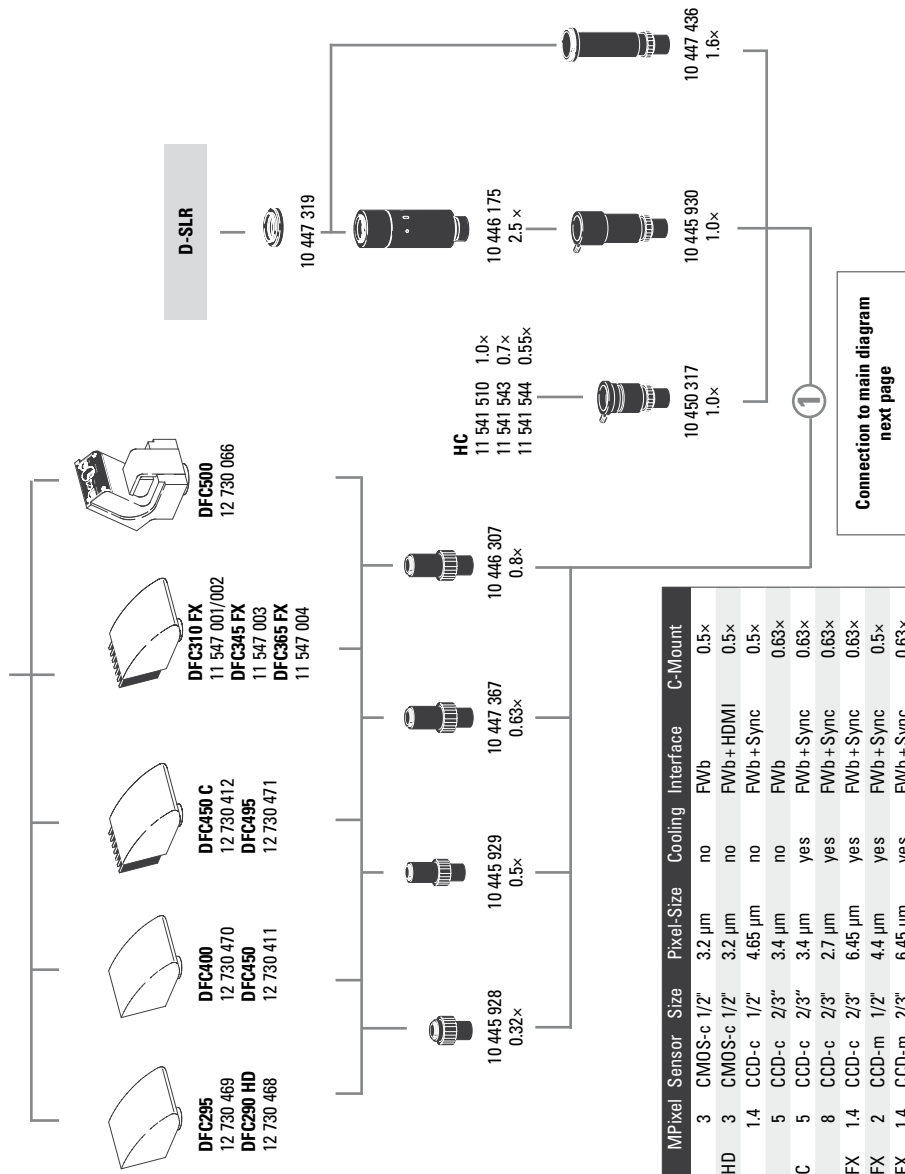
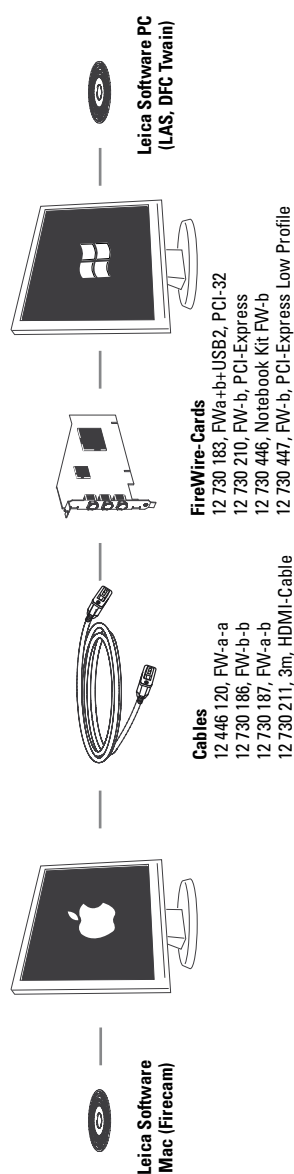
Embryology	Human medicine: Obstetrics and gynecology, veterinary science: animal husbandry
Pharmacology	Pharmaceutical research and industry, pharmacology laboratories
Anatomy	Departments of anatomy, histology and pathology at universities and hospitals, schools of medical and veterinary sciences, pharmaceutical research institutes, cancer research institutes
Microbiology	Microbiology departments and laboratories at universities and hospitals Food industry
Botany	Natural science institutes and museums Botanical gardens, herbariums
IVF	Hospitals, specialist practices

Industry

Earth sciences	Departments of geology, mineralogy, paleontology
Physics	Departments of experimental physics, optics, solid-state physics
Semiconductors	Quality control, production, process control, research and development
Microtechnology	Mask manufacturers, manufacturers of integrated circuits, assembly of microchips
Materials development	Development and test labs, quality control
Synthetic materials	Research and development, manufacturers of synthetic products, colleges and universities

Criminology

Criminological examinations	Crime labs, investigation and law enforcement, trace evidence and forensics
-----------------------------	---



Name	MPixel	Sensor	Size	Pixel-Size	Cooling	Interface	C-Mount
DFC295	3	CMOS-c	1/2"	3.2 µm	no	FWb	0.5x
DFC290 HD	3	CMOS-c	1/2"	3.2 µm	no	FWb+HDMI	0.5x
DFC400	1.4	CCD-c	1/2"	4.65 µm	no	FWb+Sync	0.5x
DFC450	5	CCD-c	2/3"	3.4 µm	no	FWb	0.63x
DFC450 C	5	CCD-c	2/3"	3.4 µm	yes	FWb+Sync	0.63x
DFC495	8	CCD-c	2/3"	2.7 µm	yes	FWb+Sync	0.63x
DFC310 FX	1.4	CCD-c	2/3"	6.45 µm	yes	FWb+Sync	0.63x
DFC345 FX	2	CCD-m	1/2"	4.4 µm	yes	FWb+Sync	0.5x
DFC365 FX	1.4	CCD-m	2/3"	6.45 µm	yes	FWb+Sync	0.63x
DFC500	12	CCD-c	2/3"	6.45 µm	yes	FWa+Sync	0.63x

-c: color / -m: monochrome

V2 - 2012

Digital camera systems

- 12 730 469 Leica DFC295 camera kit*
- 12 730 468 Leica DFC290 HD camera kit
- 12 730 470 Leica DFC400 camera kit
- 12 730 471 Leica DFC450 camera kit
- 12 730 471 Leica DFC495 camera kit
- 11 547 001 Leica DFC310 FX camera kit for Mac*
- 11 547 002 Leica DFC310 FX camera kit for PC
- 11 547 003 Leica DFC345 FX camera kit
- 11 547 004 Leica DFC365 FX camera kit
- 12 730 066 Leica DFC500 camera kit*
- 12 730 054 Leica IC D camera kit*
- 12 730 060 Leica IC 3D camera kit*

*Mac-Support

- 12 730 216 Leica IC80 HD camera (incl. USB cable and LAS EZ software) —not recommended for MZ10 F / M165 FC / M205 FA
- 12 730 228 Stand-alone kit (USB power pack, video cable, HDMI-cable, SD card, HD RC remote control) for ICD80 HD
- 12 730 229 Palm or foot switch with 2m cable for ICD80 HD

Digital camera system accessories

- 12 446 120 FireWire cable, FW-a-a, 2.5 m, 6-pin to 6-pin
- 12 730 186 FireWire cable, FW-b-b, 2.5 m, 9-pin to 9-pin
- 12 730 187 FireWire cable, FW-a-b, 2.5 m, 6-pin to 9-pin
- 12 730 211 HDMI cable, 3m, HDMI both ends
- 12 730 183 OHCI FireWire PCI32 card, FWa+b+USB2
- 12 730 210 OHCI FireWire PCI express card, FW-b
- 12 730 446 FW-b Notebook Kit (includes PCcard Express, power supply: 100-240 V, 24 W, adapter FW-b-a)

Photo tubes and C-mounts

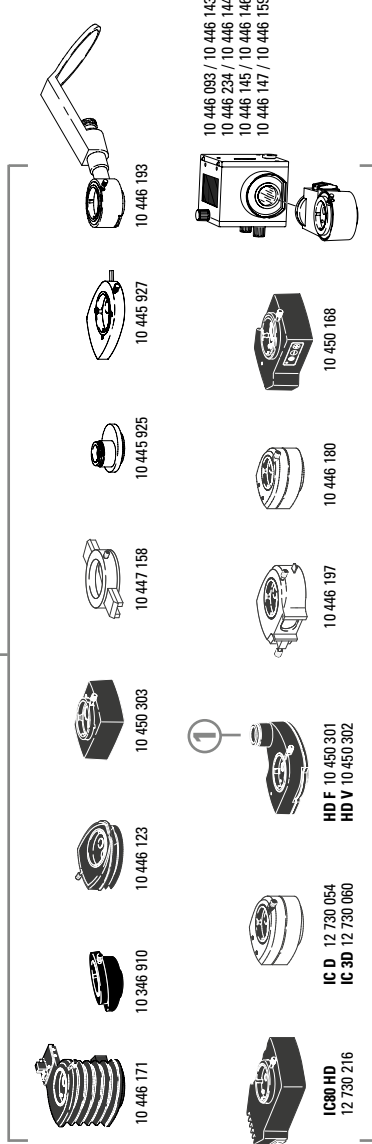
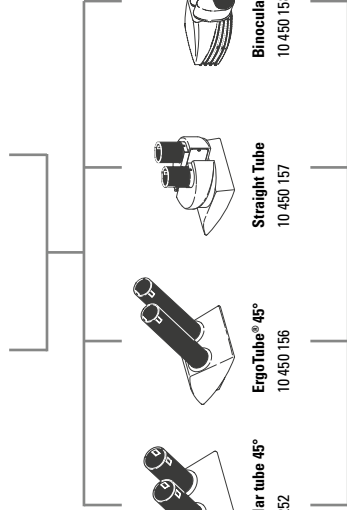
- 12 730 447 OHCI FireWire PCI express card Low Profile, FW-b
- 12 730 225 PowerKit for DFC290 HD, FW-b
- 10 447 319 Adapter T2, Canon EOS
- 10 447 436 1.6x DSLR tube with T2 thread (APS-C sensor)
- 10 446 175 2.5x DSLR tube with T2 thread (24x36 mm sensor)
- 10 445 928 0.32x video objective with C-mount for 1/3" digital cameras
- 10 445 929 0.5x video objective with C-mount for 1/2" digital cameras
- 10 447 367 0.63x video objective with C-mount for 2/3" digital cameras
- 10 446 307 0.8x video objective with C-mount for 2/3" digital cameras
- 10 445 930 1.0x video/photo objective
- 10 450 317 1.0x C-mount-adaptor for HC

Eyepieces and tubes

- 10 450 196 Replacement eyepieces for wide-field eyepieces for persons wearing glasses (not shown)
- 10 450 023 Wide-field eyepieces for persons wearing glasses 10x/23, distortion-free, dioptic correction, with eyecups, replaceable
- 10 450 024 Wide-field eyepieces for persons wearing glasses 16x/15, distortion-free, dioptic correction, with eyecups, replaceable
- 10 450 025 Wide-field eyepieces for persons wearing glasses 25x/9.5, distortion-free, dioptic correction, with eyecups, replaceable
- 10 450 026 Wide-field eyepieces for persons wearing glasses 40x/6, distortion-free, dioptic correction, with eyecups, replaceable
- 10 450 314 Plain glass plate with mount, with holder



- Evenpieces adjustable field number Z3**
- 10x 10 450 023
 - 16x 10 450 024
 - 25x 10 450 025
 - 40x 10 450 026
- Graticules**
- 10 450 117
 - 10 450 116
 - 10 450 118
 - 10 450 119
 - 10 450 336

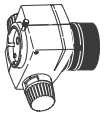


Discussion tube
10 450 430



10 450 259

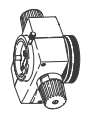
3



M80 (Zoom)
10 450 155



M60 (Zoom)
10 450 294



M50 (Step)
10 450 154

- 10 450 336 Graticule, 12 mm / 120 scale intervals
- 10 450 117 Graticule 10 mm / 0.1 mm
- 10 450 116 Graticule 5 mm / 0.05 mm
- 10 450 118 Graticule, 100 scale intervals / 0.001"
- 10 450 119 Graticule, crosshair
- 10 450 252 Inclined binocular tube, 45° viewing angle
- 10 450 156 Binocular ErgoTube® with 45° viewing angle and long tubes
- 10 450 157 Straight binocular tube with 90° viewing angle
- 10 450 158 Binocular ErgoTube® with variable 10° – 50° viewing angle
- 10 446 123 ErgoWedge® 5° – 25°
- 10 346 910 ErgoWedge® ±15
- 10 450 303 ErgoModule® 50 mm
- 10 446 197 Video/phototube HD-50
- 10 450 301 Video/photo tube HD-F, 50%, 50%
- 10 450 302 Video/photo tube HD-V, 100%, 50%, 50%, 100%
- 12 730 054 Leica IC D camera kit
- 12 730 216 Leica IC80 HD camera kit
- 10 447 158 Filter slide housing with 2 filter slides
- 10 446 180 Coaxial incident light housing for fiber-optic light
- 10 445 925 Video/photo tube A
- 10 446 193 Drawing tube
- 10 445 927 Double-iris diaphragm
- 10 446 171 ErgoModule® 30 mm – 120 mm

Zoom systems and accessories

- 10 450 154 Leica M50 optics carrier with five-step mag. changer
 - 10 450 294 Leica M60 optics carrier with zoom mag. changer 6:1
 - 10 450 155 Leica M80 optics carrier with zoom mag. changer 8:1
 - 10 450 104 Microscope carrier for M-Series optics carriers
- Objectives and optical accessories**
- 10 450 191 Achromatic objective 0.32x, working distance 303 mm, Ø 58 mm
 - 10 450 192 Achromatic objective 0.5x, working distance 188.5 mm, Ø 58 mm
 - 10 450 160 Achromatic objective 0.63x, working distance 148 mm, Ø 58 mm
 - 10 450 161 Achromatic objective 0.8x, working distance 114 mm, Ø 58 mm
 - 10 450 159 Achromatic objective 1.0x, working distance 89.6 mm, Ø 58 mm
 - 10 450 162 Achromatic objective 1.25x, working distance 65.5 mm, Ø 58 mm
 - 10 450 163 Achromatic objective 1.6x, working distance 46 mm, Ø 58 mm
 - 10 450 164 Achromatic objective 2x, working distance 41.5 mm, Ø 58 mm
 - 10 450 165 Planachromatic objective 0.8x, working dist. 27.4 mm, Ø 66 mm
 - 10 450 166 Planachromatic objective 1.6x, working dist. 41.5 mm, Ø 66 mm
 - 10 450 167 Planachromatic objective 1.0x, working dist. 83.4 mm, Ø 66 mm
 - 10 446 157 Planachromatic objective 0.5x, working distance 135 mm, Ø 66 mm
 - 10 447 051 Planapochromatic objective 0.63x, working dist. 97 mm, Ø 80 mm
 - 10 450 027 Planapochromatic objective 0.63x, working dist. 67 mm, Ø 80 mm
 - 10 450 028 Planapochromatic objective 1.0x, working dist. 61.5 mm, Ø 80 mm
 - 10 450 029 Planapochromatic objective 1.6x, working dist. 30.5 mm, Ø 80 mm
 - 10 450 030 Planapochromatic objective 2x, working dist. 20.1 mm, Ø 85 mm
 - 10 447 207 Quarter-wave plate, Ø 58 mm
 - 35 000 031 Protective glass holder Ø 58 mm with protective glass
 - 10 315 306 Analyzer, Ø 58 mm
 - 10 450 065 Analyzer in rotatable mount, Ø 80 mm, for planachromat and planapochromat Ø 80 mm
 - 10 367 929 Analyzer in revolving mount for planachromat and planapochromat Ø 66 mm
 - 10 450 243 Adapter with outer diameter M60x1 / inner Ø M65x1.5
 - 10 450 430 Discussion tube
 - 10 450 259 Carrier for discussion tube
 - 10 446 093 GFP fluorescence module
 - 10 446 143 GFP Plus fluorescence module

10 446 234 GFP Plant fluorescence module
 10 446 144 UV fluorescence module
 10 446 145 Violet fluorescence module
 10 446 146 Blue fluorescence module
 10 446 147 Green fluorescence module
 10 446 159 Fluorescence module without filter set
 10 450 265 Articulated arm; M5/M6

illumination

10 450 271 LED3000 RL – ring illuminator, Ø 58 mm objectives, 24 power LEDs, 5600 K color temperature, optimized LED auxiliary lens, selectable segments, optimized for 60–150 mm working distance
 10 450 337 Polarization set for Leica LED3000 RL
 10 450 338 Diffuser for Leica LED3000 RL
 10 450 169 LED3000 NVI™ – vertical illuminator for Ø 58 mm objectives, for 60–150 mm working distance
 10 450 501 RLA 58/66 ring light adapter for LED3000 RL and LED3000 NVI™ to objectives with Ø 66 mm

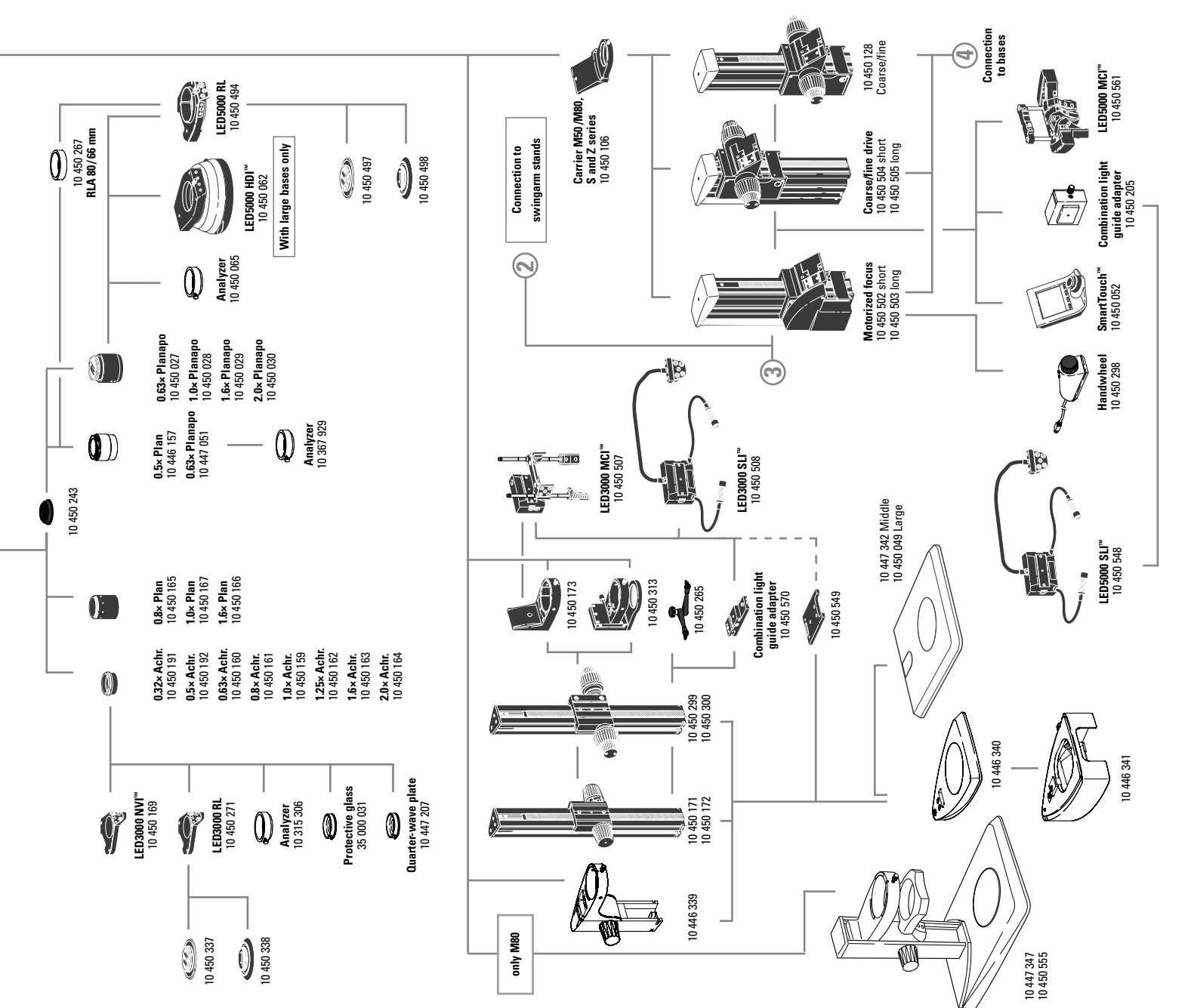
10 450 508 LED3000 SLI™, spotlight illumination, double-armed gooseneck 300 mm long, 2 power LEDs, 5600 K color temperature, control unit on separate gooseneck, incl. diffuser pair
 10 450 507 LED3000 MCI™, multi-contrast illumination with 4 power LEDs, 5600 K color temperature, selectable scenes
 10 450 549 Adapter LED3000 SLI™/MCI™ – for LED3000 MCI™ and LED3000 SLI™; For installation between the focusing column and baseplate
 10 450 570 Combination light guide-adaptor to focusing columns of the routine M series, for LED3000 SLI™ and LED3000 MCI™
 10 450 494 LED5000 RL-80/40 – Ring illuminator, second generation, for Ø 80 mm objectives, 40 power LEDs, 5600 K color temperature, LED auxiliary lens, selectable segments, working distance:

50–80 mm
 10 450 497 Polarization set for Leica LED5000 RL-80/40
 10 450 498 Diffuser for Leica LED5000 RL-80/40
 10 450 267 RLA 80/66 Ring illuminator adapter for RL for objectives with Ø 66 mm
 10 450 548 LED5000 SLI™, spotlight illumination, double-armed gooseneck 500 mm long, with 2 power LEDs, 5600 K color temperature, control unit on separate gooseneck, incl. diffuser pair
 10 450 561 LED5000 MCI™, multi-contrast illumination, 2nd generation; with 9 power LEDs, 2 movable illuminator arcs
 10 450 168 LED5000 CXI™ – coaxial LED incident light illumination, 1.5x magnification factor

10 450 062 LED5000 HDI™, diffuse illumination, FlexiDome™, ideal for highly reflective specimens
 10 450 205 Combination light guide-adaptor to focusing columns of the high-performance M series, for LED5000 SLI™
 10 450 266 Power supply for LED3000/LED5000

Incident light and transmitted light bases

10 450 049 Incident light base large
 10 447 342 Incident light base medium
 10 446 340 Incident light base small
 10 446 341* Sub-base for transmitted light with reflector for 10 446 340
 * Cold light source with light guide required
 10 450 123 Transmitted light base TL3000 ST
 10 450 124 Transmitted light base TL4000 BFDF
 10 450 125 Transmitted light base TL4000 RC™ for external cold light sources
 10 450 126 Transmitted light base TL4000 RCI™ with int. halogen illumination
 10 450 541 Transmitted light base TL5000 Ergo with integr. LED illumination
 10 447 347 LED2000 – incident light base with LED illumination
 10 450 555 LED2500 – incident and transmitted light base with LED illumination



10 446 234
 10 446 144
 10 446 145
 10 446 146
 10 446 147
 10 446 159
 10 450 265

10 450 271
 10 450 337
 10 450 338
 10 450 169
 10 450 501

10 450 508
 10 450 507
 10 450 549
 10 450 570
 10 450 494

10 450 497
 10 450 498
 10 450 267
 10 450 548

10 450 561
 10 450 168
 10 450 062

10 450 205
 10 450 266

10 450 049
 10 447 342
 10 446 340
 10 446 341*

10 450 123
 10 450 124
 10 450 125
 10 450 126
 10 450 541
 10 447 347
 10 450 555

10 450 267
 RLA 80/66 mm
 10 450 494
 LED5000 RL
 10 450 062
 LED5000 HDI™
 10 450 497
 10 450 498

0.63x Planapo
 10 450 027
 1.0x Planapo
 10 450 028
 1.6x Planapo
 10 450 029
 2.0x Planapo
 10 450 030
 Analyzer
 10 450 065

0.5x Plan.
 10 446 157
 0.63x Planapo
 10 447 051
 1.6x Planapo
 10 450 029
 2.0x Planapo
 10 450 030
 Analyzer
 10 367 929

0.8x Plan.
 10 450 165
 1.0x Plan.
 10 450 167
 1.6x Plan.
 10 450 166
 0.32x Achr.
 10 450 191
 0.5x Achr.
 10 450 192
 0.63x Achr.
 10 450 160
 0.8x Achr.
 10 450 161
 1.0x Achr.
 10 450 159
 1.25x Achr.
 10 450 162
 1.6x Achr.
 10 450 163
 2.0x Achr.
 10 450 164

LED3000 NVI™
 10 450 169
 LED3000 RL
 10 450 271
 Analyzer
 10 315 306
 Protective glass
 35 000 031
 Quarter-wave plate
 10 447 207

10 450 337
 10 450 338

Connection to swingarm stands
 2
 Carrier M50/M80, S and Z series
 10 450 106

LED3000 MCI™
 10 450 507
 LED3000 SLI™
 10 450 508

10 450 173
 10 450 313
 10 450 265
 Combination light guide adapter
 10 450 570
 10 450 549

10 450 299
 10 450 300
 10 450 171
 10 450 172

10 446 339
 10 447 342 Middle
 10 450 049 Large

10 446 340
 10 446 341

Motorized focus
 10 450 502 short
 10 450 503 long
 Coarse/fine drive
 10 450 504 short
 10 450 505 long
 3
 Connection to bases
 4

LED5000 SLI™
 10 450 548
 LED5000 MCI™
 10 450 561
 Combination light guide adapter
 10 450 265
 SmartTouch™
 10 450 052
 Handwheel
 10 450 298

10 447 347
 10 450 555

10 446 340
 10 446 341

10 446 340
 10 446 341

10 446 340
 10 446 341

Stages

- 10 450 562 Standard stage for TL BFDF, TL RC™ and TL RCI™
- 10 450 127 Leica IsoPro™ Manual Cross-stage for TL BFDF, TL RC™, TL RCI™ transmitted light bases and Incident light base (with adapter 10 450 122)
- 10 450 218 Leica IsoPro™ Motorized Cross-stage TL BFDF, TL RC™, TL RCI™ and incident light base (with adapter 10 450 122)
- 10 450 122 Adapter between cross-stage and incident light base 10 450 049
- 10 447 275 Leica MATS TL heating stage insert with control unit for TL bases
- 10 447 276 Adapter for stages with Ø 120 mm
- 10 447 391 Stage for LiveOnStage accessories
- 10 447 392 Universal carrier for Petri dishes, specimen slides (up to 4 pcs.), etc.
- 10 446 301 Gliding stage, Ø 120 mm
- 10 446 302 Polarization stage, Ø 120 mm
- 10 382 130 Attachable mechanical stage for Pol rotating stage
- 10 361 719 Sensitive-tint plate for Pol rotating stage
- 10 446 303 Cup stage, Ø 120 mm
- 33 000 600 Cup stage, Ø 120 mm, surface Ø 150 mm, revolving
- 10 446 228 Glass insert with Pol, Ø 120 mm
- 10 450 058 Stage plate, b/w for TL bases
- 10 450 059 Additional buttons for IsoPro™ Manual Cross-stage
- 10 447 057 Stage plate b/w
- 10 447 058 Glass plate
- 10 447 153 Glass plate, matte

Focusing drive

- 10 450 504 Coarse/fine focusing drive with profile column 420 mm
- 10 450 505 Coarse/fine focusing drive with profile column 620 mm
- 10 450 502 Motorized focus with profile column 420 mm
- 10 450 503 Motorized focus with profile column 620 mm
- 10 450 128 Coarse/fine focusing drive
- 10 450 171 Coarse focusing drive with profile column 300 mm
- 10 450 172 Coarse focusing drive with profile column 500 mm
- 10 450 299 Coarse/fine focusing drive with profile column 300 mm
- 10 450 300 Coarse/fine focusing drive with profile column 500 mm
- 10 450 173 Microscope carrier for M-Series with 76 mm interface
- 10 450 313 Microscope carrier AX
- 10 446 339 Focusing drive with integrated microscope carrier

Filters

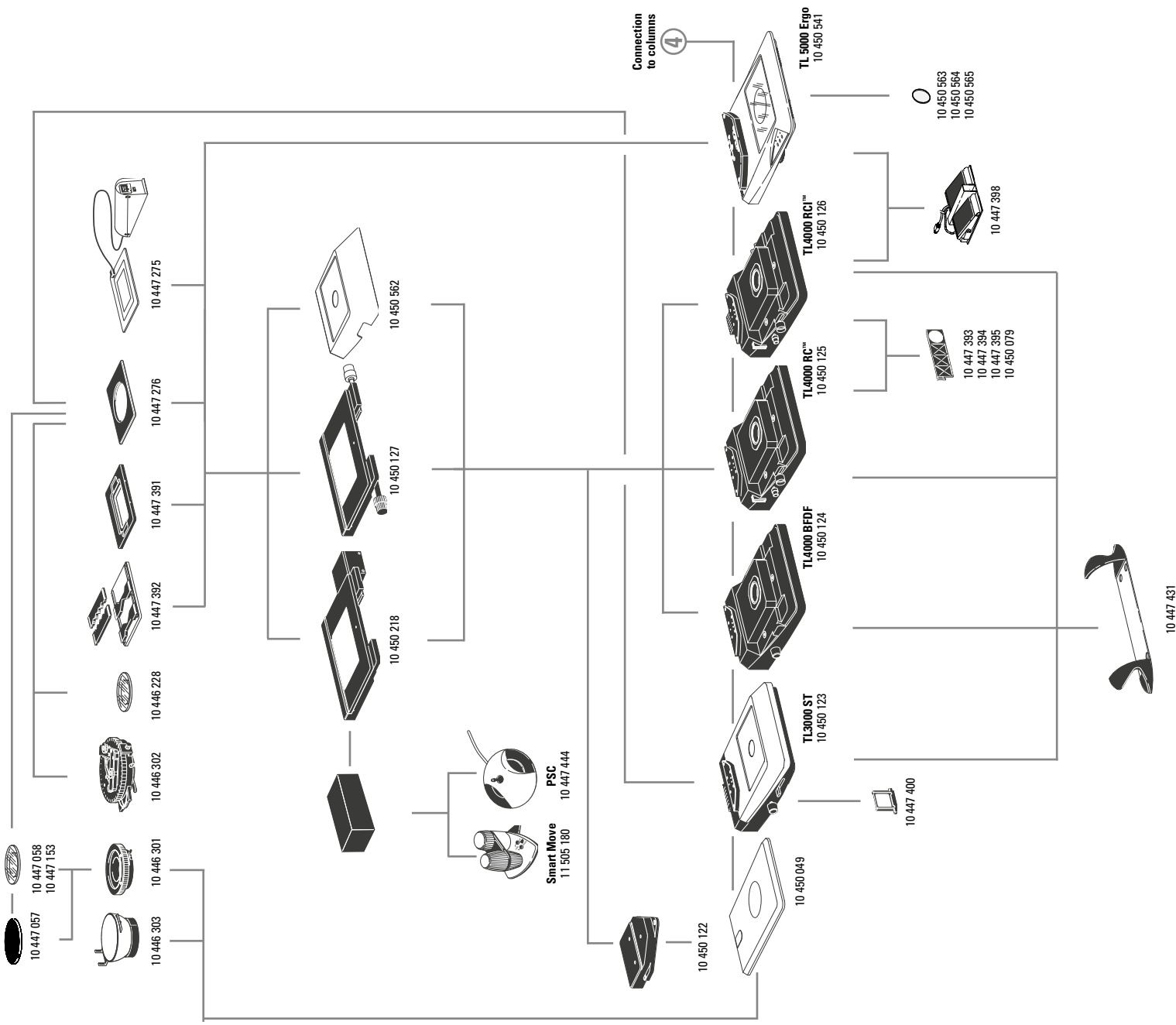
- 10 447 400 Daylight filter for TL ST base
- 10 447 394 BG38 filter for Transmitted Light Base TL RC™/RCI™
- 10 447 395 UV filter for base TL RC™/RCI™
- 10 447 393 ND (natural density) filter for base TL RC™/RCI™
- 10 450 079 Daylight filter for TL RC™/TL RCI™ base
- 10 450 563 Milk glass filter for TL5000 Ergo
- 10 450 564 Green filter for TL5000 Ergo
- 10 450 565 Polarization filter for TL5000 Ergo

Controls

- 11 505 180 Leica Smart Move control unit for
- 10 447 444 Leica IsoPro™ motorized mechanical stage
- Leica PSC control unit for
- 10 450 052 Leica IsoPro™ motorized mechanical stage
- SmartTouch™, ext. control unit with integr. touchscreen for status control and control of all settings and functions
- 10 450 298 Manual controller for motorized focus
- 10 447 398 Foot switch

Ergonomic accessories

- 10 447 431 Leica ErgoRest™ handrest for fatigue-free working



ARTICLE DESCRIPTIONS

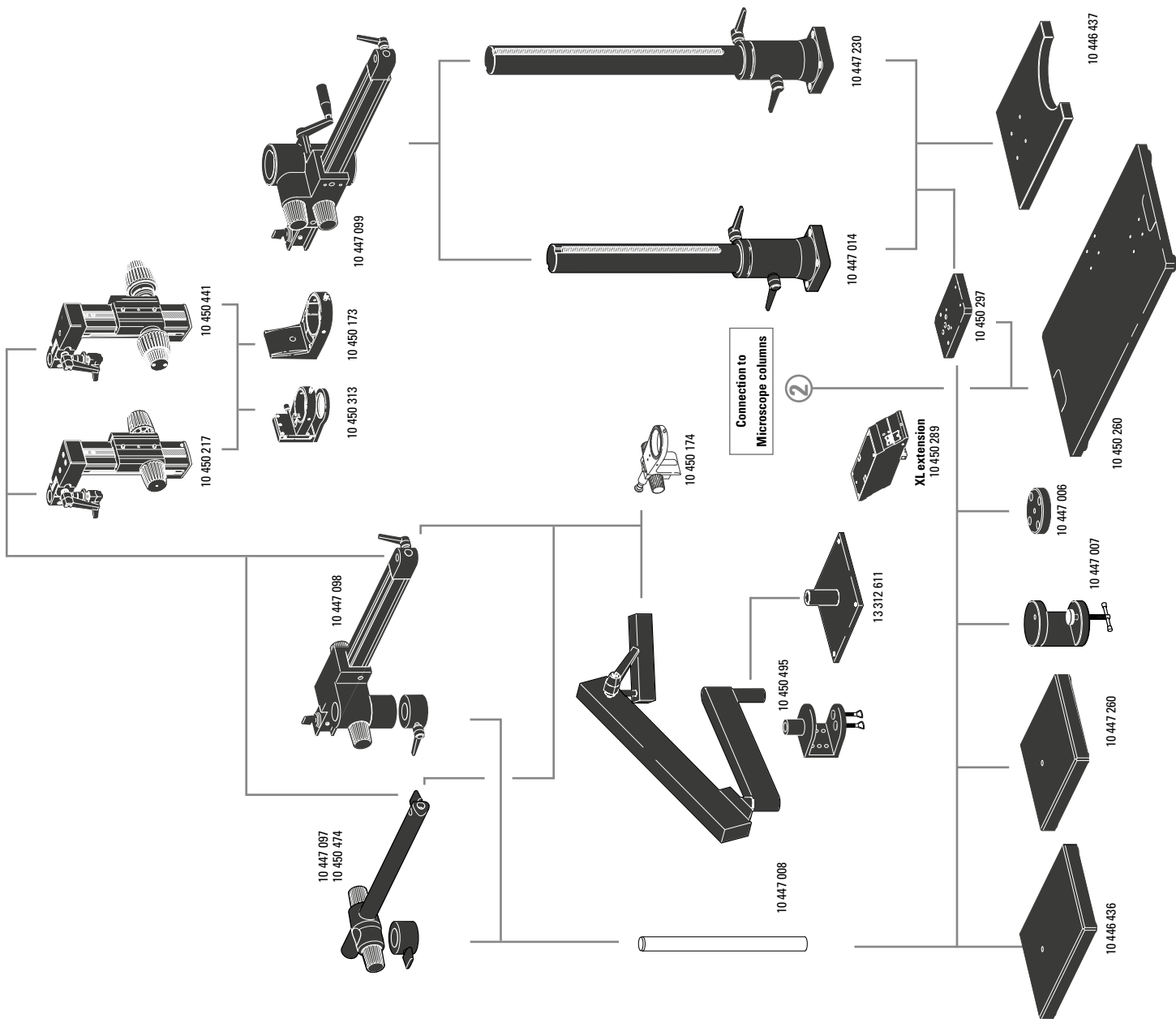
- 10 447 260 Baseplate, small
- 10 446 436 Baseplate, medium
- 10 447 008 Vertical column 470/35 mm
- 10 447 097 Horizontal arm ESD, 500 mm
- 10 450 474 Horizontal arm ESD, 290 mm
- 10 447 098 Standard horizontal arm
- 10 447 006 Flange
- 10 447 007 Stage clamp

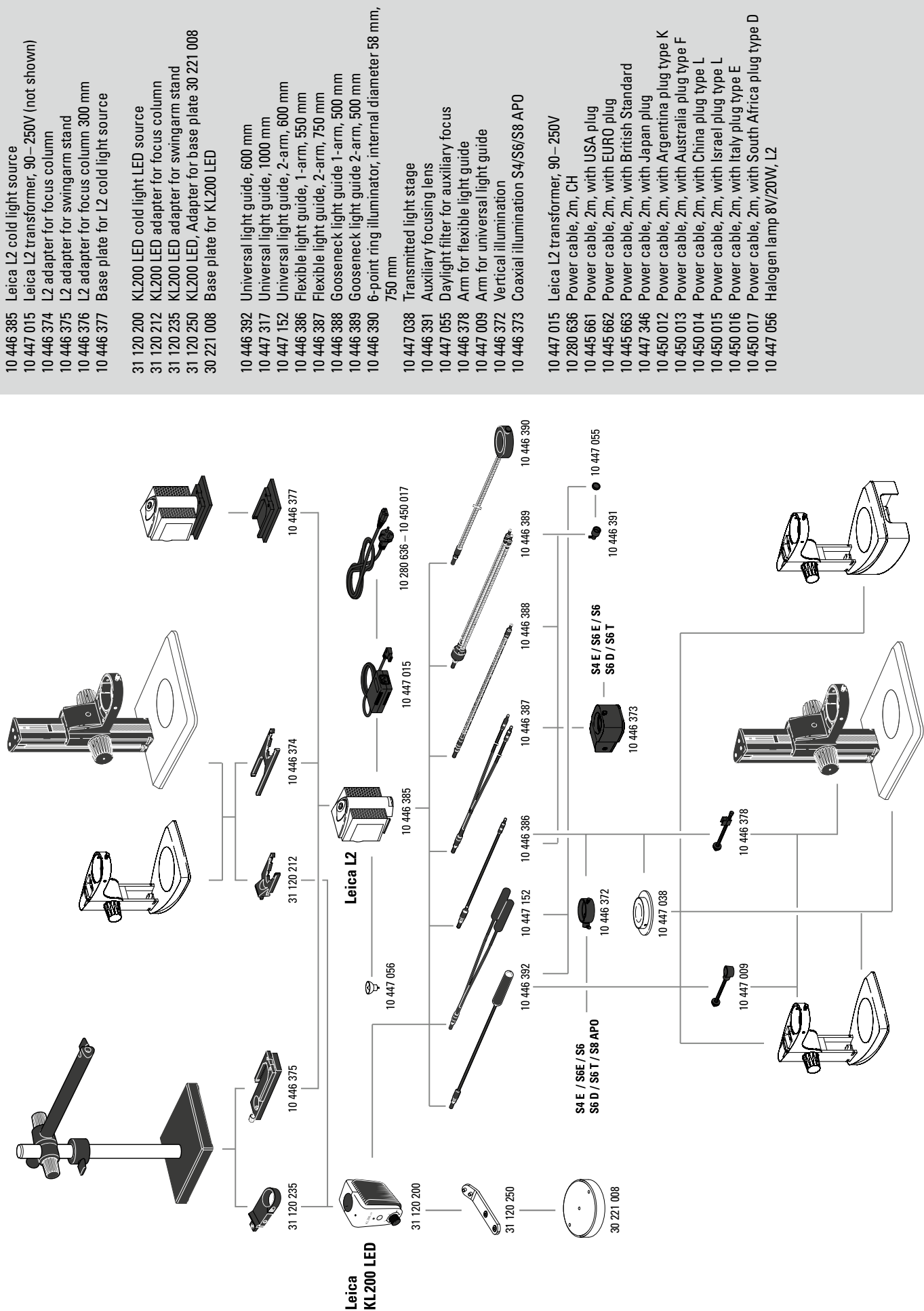
- 10 446 437 Baseplate, large
- 10 447 014 Vertical column 560/57 mm
- 10 447 230 Vertical column 800/57 mm
- 10 447 099 Horizontal arm, large

- 10 450 495 Flex-arm stand with table clamp
- 13 312 611 Table holder for flex-arm stand

- 10 450 174 Inclination focusing drive
- 10 450 217 Focusing drive with tiltable column
- 10 450 441 Focusing drive coarse/fine with tiltable column
- 10 450 173 Microscope carrier for focusing drive 10 450 217
- 10 450 313 Microscope carrier AX

- 10 450 260 Universal plate XL for specimens up to 300 x 300 mm
- 10 450 297 Adapter for universal plate 10 450 260 for all swinging-arm columns
- 10 450 289 XL extension – for positioning Leica Stereomicroscopes on the universal base XL 10 450 260





- 10 446 385 Leica L2 cold light source
- 10 447 015 Leica L2 transformer, 90–250V (not shown)
- 10 446 374 L2 adapter for focus column
- 10 446 375 L2 adapter for swingarm stand
- 10 446 376 L2 adapter for focus column 300 mm
- 10 446 377 Base plate for L2 cold light source

- 31 120 200 KL200 LED cold light LED source
- 31 120 212 KL200 LED adapter for focus column
- 31 120 235 KL200 LED adapter for swingarm stand
- 31 120 250 KL200 LED, Adapter for base plate 30 221 008
- 30 221 008 Base plate for KL200 LED

- 10 446 392 Universal light guide, 600 mm
- 10 447 317 Universal light guide, 1000 mm
- 10 447 152 Universal light guide, 2-arm, 600 mm
- 10 446 386 Flexible light guide, 1-arm, 550 mm
- 10 446 387 Flexible light guide, 2-arm, 750 mm
- 10 446 388 Gooseneck light guide 1-arm, 500 mm
- 10 446 389 Gooseneck light guide 2-arm, 500 mm
- 10 446 390 6-point ring illuminator, internal diameter 58 mm, 750 mm

- 10 447 038 Transmitted light stage
- 10 446 391 Auxiliary focusing lens
- 10 447 055 Daylight filter for auxiliary focus
- 10 446 378 Arm for flexible light guide
- 10 447 009 Arm for universal light guide
- 10 446 372 Vertical illumination
- 10 446 373 Coaxial illumination S4/S6/S8 APO

- 10 447 015 Leica L2 transformer, 90–250V
- 10 280 636 Power cable, 2m, CH
- 10 445 661 Power cable, 2m, with USA plug
- 10 445 662 Power cable, 2m, with EURO plug
- 10 445 663 Power cable, 2m, with British Standard
- 10 447 346 Power cable, 2m, with Japan plug
- 10 450 012 Power cable, 2m, with Argentina plug type K
- 10 450 013 Power cable, 2m, with Australia plug type F
- 10 450 014 Power cable, 2m, with China plug type L
- 10 450 015 Power cable, 2m, with Israel plug type L
- 10 450 016 Power cable, 2m, with Italy plug type E
- 10 450 017 Power cable, 2m, with South Africa plug type D
- 10 447 056 Halogen lamp 8V/20W, L2

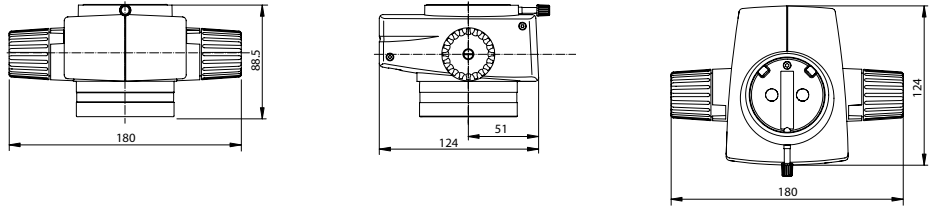
**Leica
KL200 LED**

Leica L2

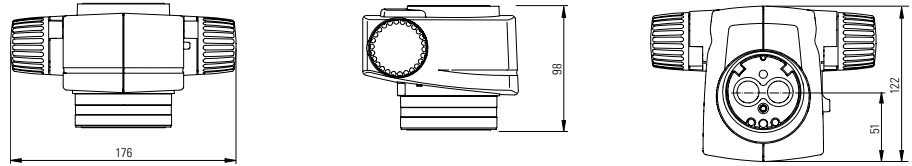
S4 E / S6 E / S6
S6 D / S6 T / S8 APO

S4 E / S6 E / S6
S6 D / S6 T

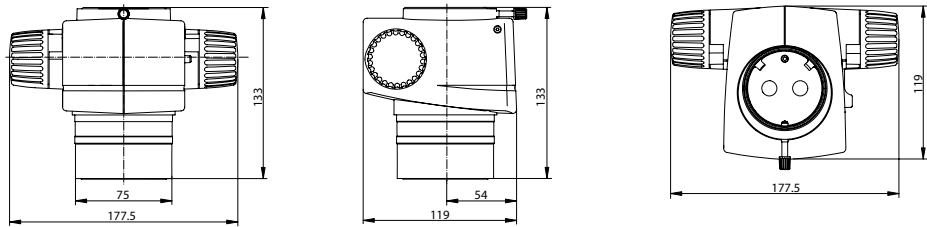
Leica M50



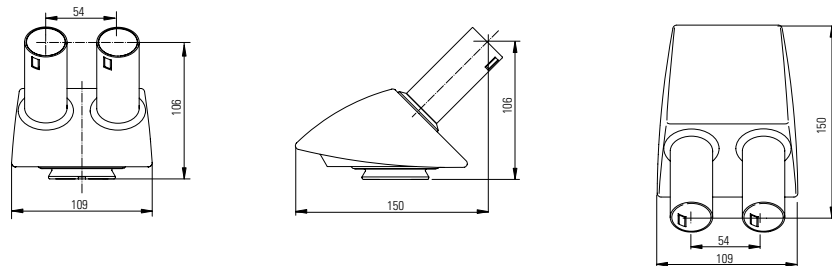
Leica M60



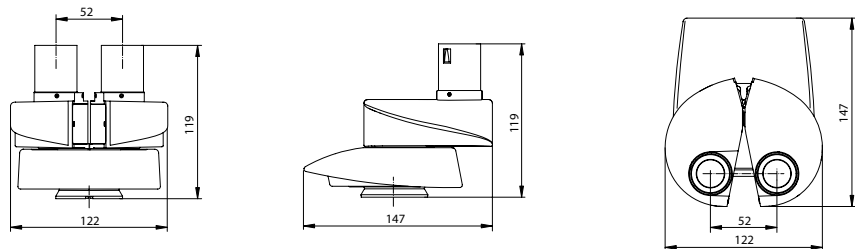
Leica M80



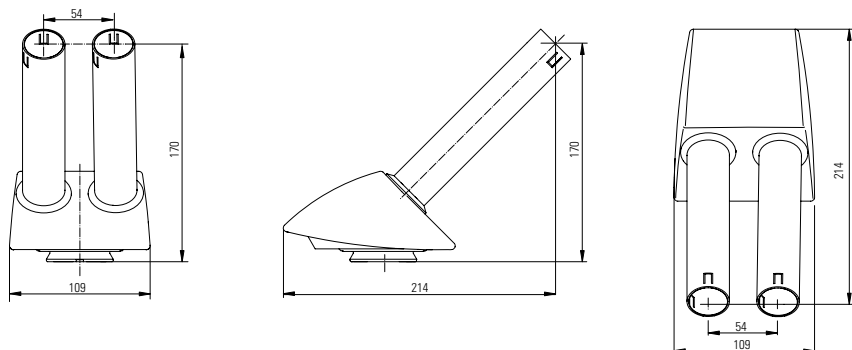
45° tube



Straight tube



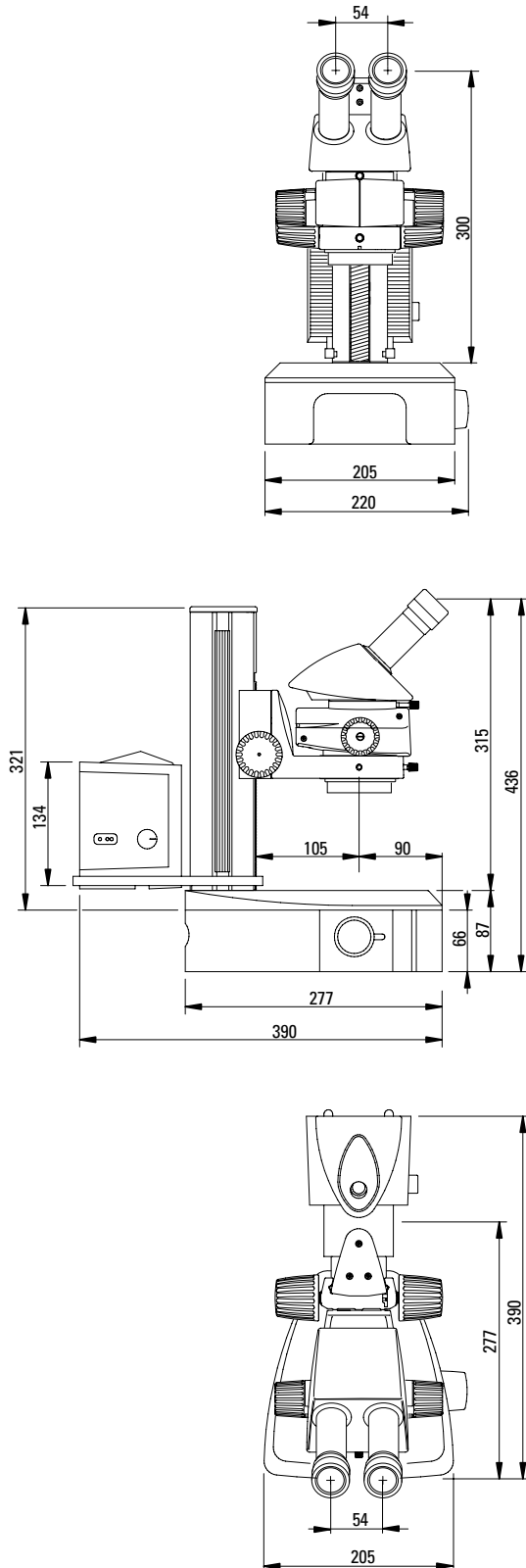
Binocular ErgoTube®



All dimensions in mm

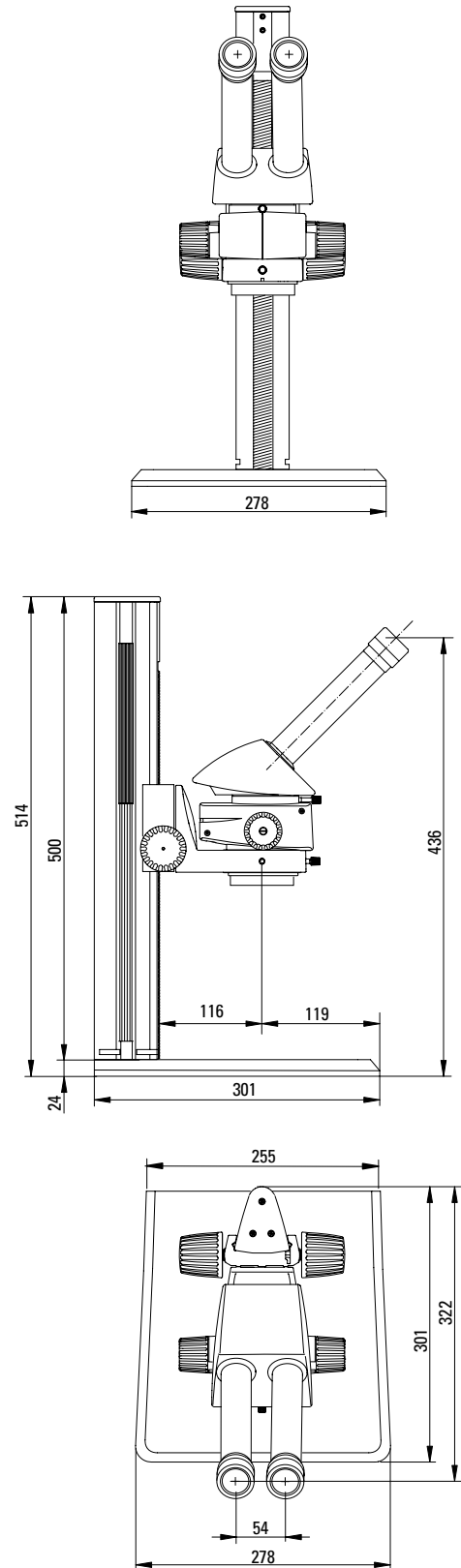
Leica M50

with small incident light base, transmitted light base,
Leica L2 illumination and 45° binocular tube



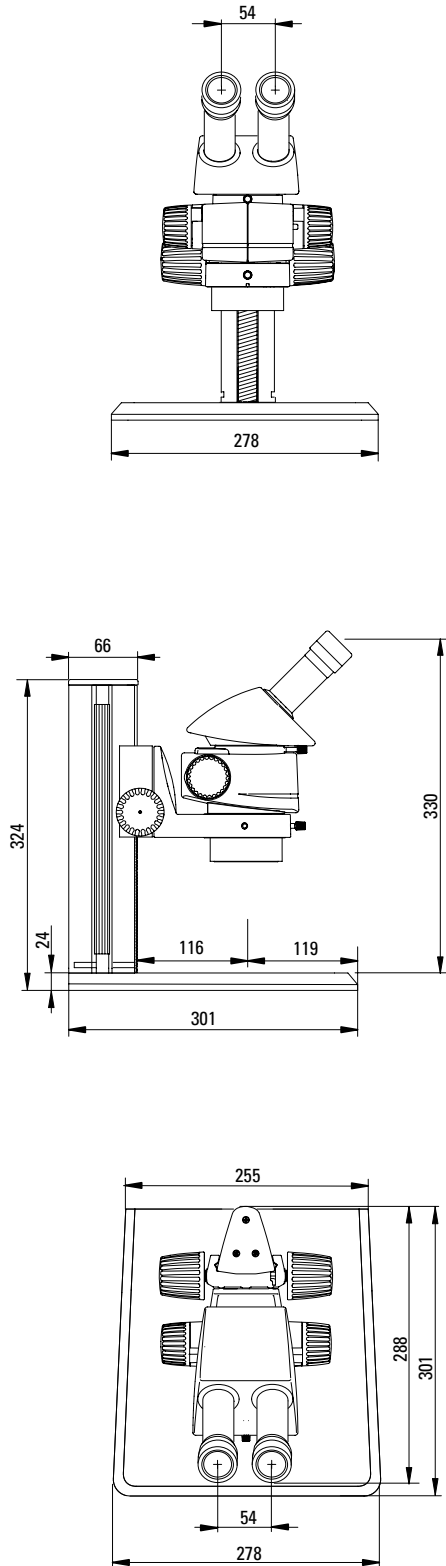
Leica M50

with large incident light base and 45° ErgoTube®



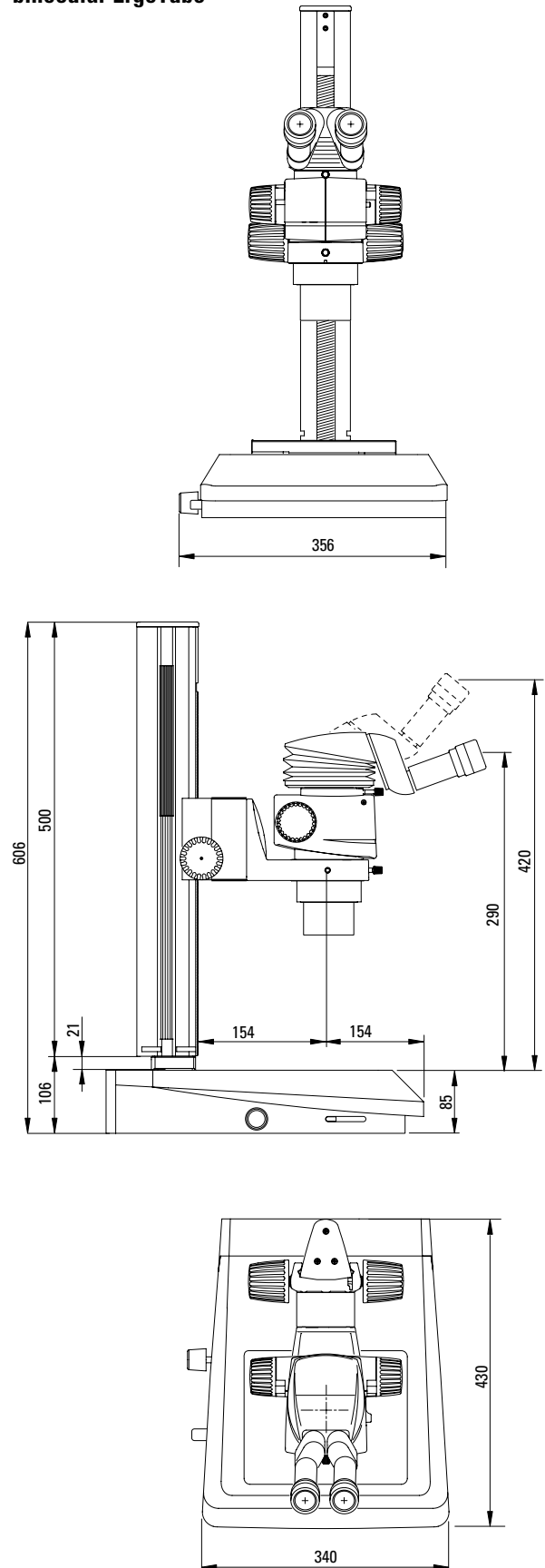
Leica M60

with large incident light base and 45° binocular tube



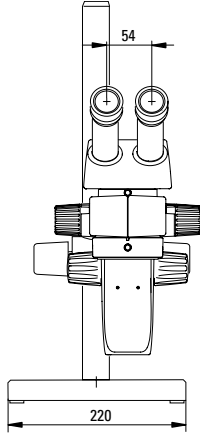
Leica M80

with Leica TL3000 ST transmitted light base and binocular ErgoTube®



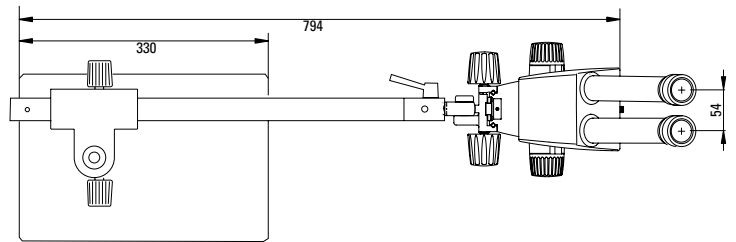
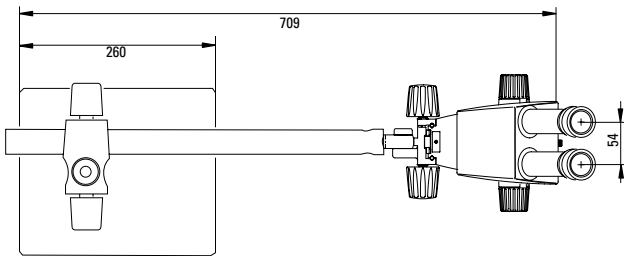
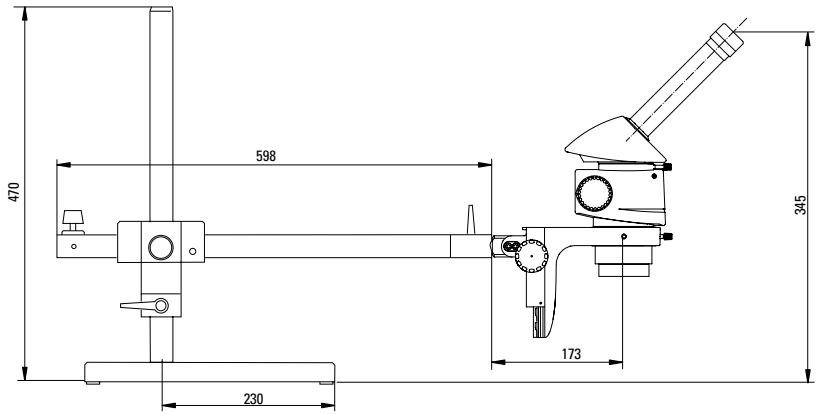
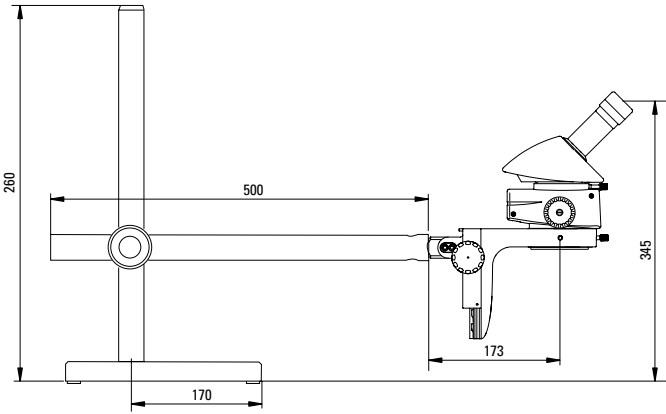
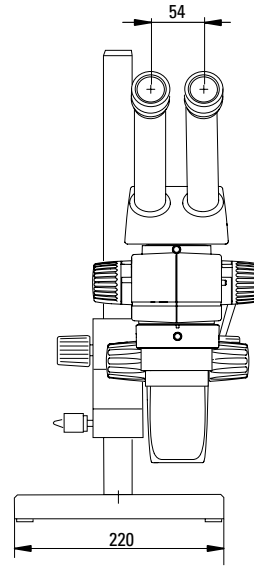
Leica M50

with small swing arm stand and 45° binocular tube



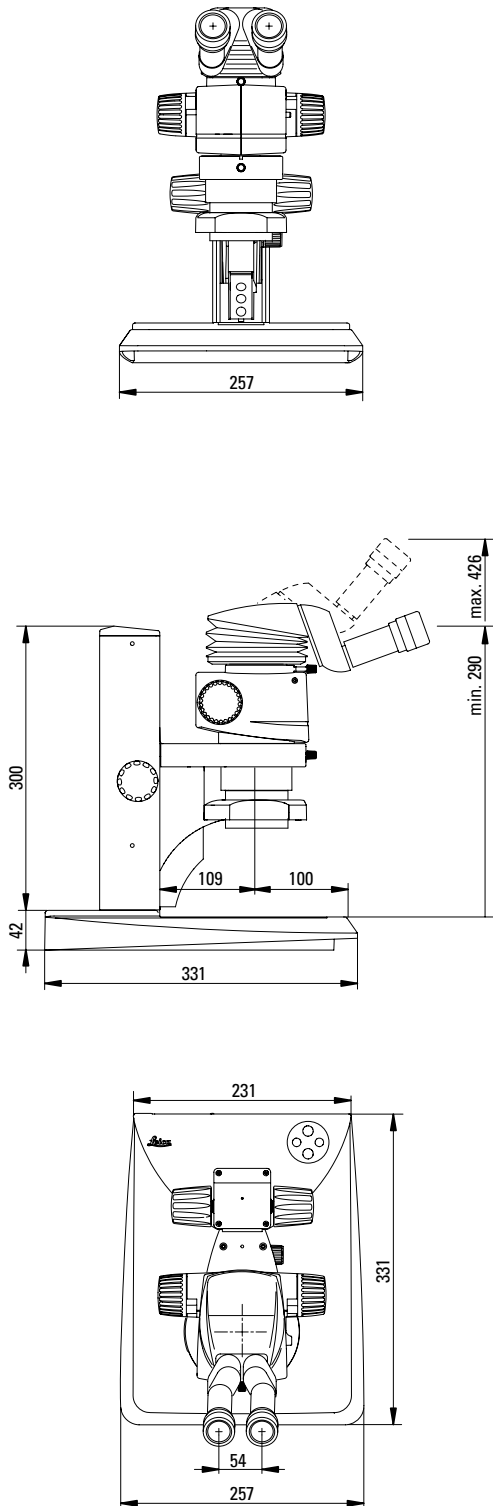
Leica M80

with standard swing arm stand and 45° binocular tube



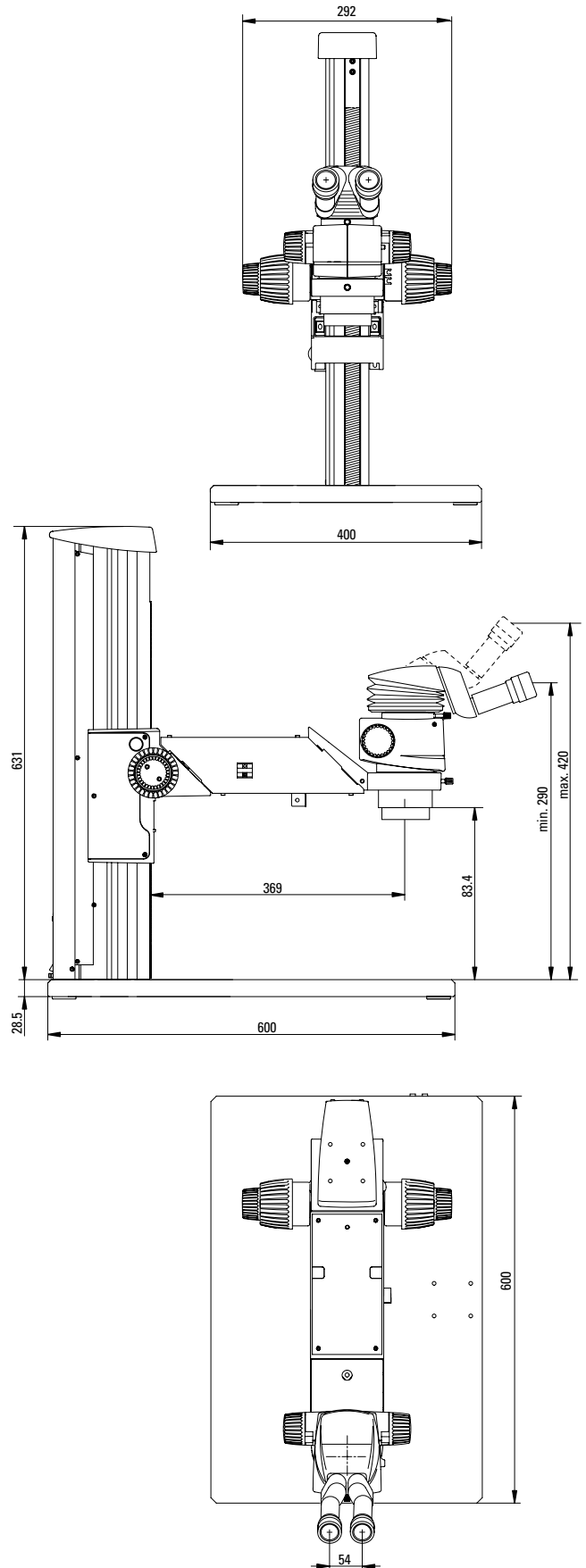
Leica M80

with Leica LED2500 and binocular ErgoTube®



Leica M80

with universal base XL, XL extension and binocular ErgoTube®



The statement by Ernst Leitz in 1907, “With the User, For the User,” describes the fruitful collaboration with end users and driving force of innovation at Leica Microsystems. We have developed five brand values to live up to this tradition: Pioneering, High-end Quality, Team Spirit, Dedication to Science, and Continuous Improvement. For us, living up to these values means: **Living up to Life.**

Leica Microsystems operates globally in four divisions, where we rank with the market leaders.

LIFE SCIENCE DIVISION

The Leica Microsystems Life Science Division supports the imaging needs of the scientific community with advanced innovation and technical expertise for the visualization, measurement, and analysis of microstructures. Our strong focus on understanding scientific applications puts Leica Microsystems’ customers at the leading edge of science.

INDUSTRY DIVISION

The Leica Microsystems Industry Division’s focus is to support customers’ pursuit of the highest quality end result. Leica Microsystems provide the best and most innovative imaging systems to see, measure, and analyze the microstructures in routine and research industrial applications, materials science, quality control, forensic science investigation, and educational applications.

BIOSYSTEMS DIVISION

The Leica Microsystems Biosystems Division brings histopathology labs and researchers the highest-quality, most comprehensive product range. From patient to pathologist, the range includes the ideal product for each histology step and high-productivity workflow solutions for the entire lab. With complete histology systems featuring innovative automation and Novocastra™ reagents, Leica Microsystems creates better patient care through rapid turnaround, diagnostic confidence, and close customer collaboration.

MEDICAL DIVISION

The Leica Microsystems Medical Division’s focus is to partner with and support surgeons and their care of patients with the highest-quality, most innovative surgical microscope technology today and into the future.

Leica Microsystems – an international company with a strong network of worldwide customer services:

Active worldwide		Tel.	Fax
Australia · North Ryde	+61	2 8870 3500	2 9878 1055
Austria · Vienna	+43	1 486 80 50 0	1 486 80 50 30
Belgium · Groot Bijgaarden	+32	2 790 98 50	2 790 98 68
Canada · Concord/Ontario	+1	800 248 0123	847 405 0164
Denmark · Ballerup	+45	4454 0101	4454 0111
France · Nanterre Cedex	+33	811 000 664	1 56 05 23 23
Germany · Wetzlar	+49	64 41 29 40 00	64 41 29 41 55
Italy · Milan	+39	02 574 861	02 574 03392
Japan · Tokyo	+81	3 5421 2800	3 5421 2896
Korea · Seoul	+82	2 514 65 43	2 514 65 48
Netherlands · Rijswijk	+31	70 4132 100	70 4132 109
People’s Rep. of China · Hong Kong	+852	2564 6699	2564 4163
· Shanghai	+86	21 6387 6606	21 6387 6698
Portugal · Lisbon	+351	21 388 9112	21 385 4668
Singapore	+65	6779 7823	6773 0628
Spain · Barcelona	+34	93 494 95 30	93 494 95 32
Sweden · Kista	+46	8 625 45 45	8 625 45 10
Switzerland · Heerbrugg	+41	71 726 34 34	71 726 34 44
United Kingdom · Milton Keynes	+44	800 298 2344	1908 246312
USA · Buffalo Grove/Illinois	+1	800 248 0123	847 405 0164