

From Eye to Insight

*Leica*  
MICROSYSTEMS

Stereo Microscopes

## TECHNICAL INFORMATION

Leica M125 C

Leica M165 C

Leica M205 C

Leica M205 A



# PERFORMANCE CHARACTERISTICS

## SPECIFICATIONS



	Leica M125 C	Leica M165 C	Leica M205 C/Leica M205 A
<b>Optical Data</b>	12.5:1 manual	16.5:1 manual	20.5:1 manual/motorized with FusionOptics
Zoom			
Data with standard optics (1× objective/10× eyepieces)			
– Zoom range	8×–100×	7.3×–120×	7.8×–160×
– Resolution	max. 432 lp/mm	max. 453 lp/mm	max. 525 lp/mm
– Working distance	61.5 mm (planapochromatic)	61.5 mm (planapochromatic)	61.5 mm (planapochromatic)
– Object field	∅ 28.8 mm–2.3 mm	∅ 31.5 mm–1.92 mm	∅ 29.5 mm–1.44 mm
Maximum values (based on optics combination)			
– Magnification	800×	960×	1,280×
– Resolution	max. 864 lp/mm	906 lp/mm	1,050 lp/mm
– Visible structural width	579 nm	551 nm	476 nm
– Numerical aperture	0.288	0.302	0.35
– Object field	∅ 68 mm	∅ 63 mm	∅ 59 mm
Working distances		135 mm (0.5× planachromatic) 112 mm (0.8× planachromatic) 67 mm (0.63× planapochromatic) 61.5 mm (1× planapochromatic) 30.5 mm (1.6× planapochromatic) 20.1 mm (2× planapochromatic)	
<b>Optics carrier</b>			
100 % apochromatic optical system	CMO (Common Main Objective) lead-free		
Coded/motorized function	Zoom, iris diaphragm, objective nosepiece (coded only)	Zoom, iris diaphragm, objective nosepiece (coded only)	Zoom, iris diaphragm, objective nosepiece (encoded and motorized)
Specific surface resistivity (housing)	$2 \times 10^{11} \Omega/\text{mm}^2$ discharge time <2 seconds from 1,000 V to 100 V		
Engageable zoom notches	12 for repetitive tasks	13 for repetitive tasks	14 for repetitive tasks (M205 C) Continuously variable control with SmartTouch or LAS (M205 A)
Double-iris diaphragm for depth of field control	Built-in and encoded	Built-in and encoded	Installed and encoded (M205 C) / motorized (M205 A)

Accessories	Leica M125 C	Leica M165 C	Leica M205 C/Leica M205 A
Standard objective (parfocal in the objective nosepiece)	1× planapochromatic		
Additional objectives (parfocal in the objective nosepiece)	2× planapochromatic, 1.6× planapochromatic, 0.63× planapochromatic		
Objective revolver, parfocal 0.63×–2× planapochromatic, coded	Fast magnification change 5.12×–200×, parfocal	Fast magnification change 4.67×–240×, parfocal	Fast magnification change 4.99×–320×, parfocal
Binocular tubes, ergonomics	– APOCHR. binocular and trinocular tubes with synchronized interpupillary distance adjustment – Various ErgoModules (optional)		
Interpupillary distance	50 mm – 105 mm with the new trinocular ErgoTube®		
Wide-field eyepieces for eyeglass wearers	10×, 16×, 25×, 40×, with replaceable eyecups & click stop		
Manual coarse/fine focus	Focusing range 130 mm / 130 mm, adjustable ease of movement		
Microscope carrier AX for stereo or vertical observation	For convergence-free imaging without lateral shift of the specimen		
PC interface	USB		

## MODULAR SYSTEM

Leica M125 C, Leica M165 C, Leica M205 C & Leica M205 A	
	<b>Stands, illuminators</b>
Transmitted-light base	Leica TL3000 ST: Bright field and dark field on one side – TL4000 BFDF: Bright and circular dark field – TL4000 RC / RCI: Bright field, single-sided dark field, Rottermann Contrast – TL5000 Ergo: Bright field two-sided dark field, Rottermann Contrast
Incident-light base	Large incident-light base with black-and-white stage insert and Antishock feet
Stages	Gliding stage, MATS heating stage, cup stage, rotatable polarization stage, Leica IsoPro Cross-stage (manual and motorized)
Illuminators	LED5000 RL, LED5000 SLI with min. 500 mm length, LED5000 MCI, LED5000 HDI, LED5000 NVI, LED5000 CXI
	<b>Misc. accessories</b>
Photography, video	Digital image capture systems from Leica, various camera variants (e.g. integrated and external), various adapters for commercially available analog and digital cameras
Image archiving, image processing	Leica Application Suite (LAS) software, consisting of basic program and various auxiliary modules
Measurement reticules	For length measurements and counting
Vertical and oblique observation	45° side view around the complete object
Drawing tube	for left and right-handed users
Discussion tube for training for two observers	for two observers

## LEICA M125 C OPTICAL DATA

Objectives		0.5× planachromatic		0.63× planapochromatic		0.8× planachromatic		1× planachromatic	1× planapochromatic	1.6× planapochromatic		2× planapochromatic	
Working distances		135 mm		97 mm	67 mm	112 mm		59 mm	61.5 mm	30.5 mm		20.1 mm	
Eyepieces	Zoom setting	Total mag.	Object field Ø	Total mag.	Object field Ø	Total mag.	Object field Ø	Total mag.	Object field Ø	Total mag.	Object field Ø	Total mag.	Object field Ø
		×	mm	×	mm	×	mm	×	mm	×	mm	×	mm
10×/23B	0.8	4	57.5	5.12	44.9	6.4	35.9	8	28.8	12.8	18	16	14.4
	1	5	46	6.4	35.9	8	28.8	10	23	16	14.4	20	11.5
	1.25	6.25	36.8	8	28.8	10	23	12.5	18.4	20	11.5	25	9.2
	1.6	8	28.8	10.2	22.5	12.8	18	16	14.4	25.6	8.98	32	7.19
	2	10	23	12.8	18	16	14.4	20	11.5	32	7.19	40	5.75
	2.5	12.5	18.4	16	14.4	20	11.5	25	9.2	40	5.75	50	4.6
	3.2	16	14.4	20.5	11.2	25.6	8.98	32	7.19	51.2	4.49	64	3.59
	4	20	11.5	25.6	8.98	32	7.19	40	5.75	64	3.59	80	2.88
	5	25	9.2	32	7.19	40	5.75	50	4.6	80	2.88	100	2.3
	6.3	31.5	7.3	40.3	5.7	50.4	4.56	63	3.65	101	2.28	126	1.83
8	40	5.75	51.2	4.49	64	3.59	80	2.88	128	1.8	160	1.44	
10	50	4.6	64	3.59	80	2.88	100	2.3	160	1.44	200	1.15	
16×/15B	0.8	6.4	37.5	8.19	29.3	10.2	23.4	12.8	18.8	20.5	11.7	25.6	9.38
	1	8	30	10.2	23.4	12.8	18.8	16	15	25.6	9.38	32	7.5
	1.25	10	24	12.8	18.8	16	15	20	12	32	7.5	40	6
	1.6	12.8	18.8	16.4	14.6	20.5	11.7	25.6	9.38	41	5.86	51.2	4.69
	2	16	15	20.5	11.7	25.6	9.38	32	7.5	51.2	4.69	64	3.75
	2.5	20	12	25.6	9.38	32	7.5	40	6	64	3.75	80	3
	3.2	25.6	9.38	32.8	7.32	41	5.86	51.2	4.69	81.9	2.93	102	2.34
	4	32	7.5	41	5.86	51.2	4.69	64	3.75	102	2.34	128	1.88
	5	40	6	51.2	4.69	64	3.75	80	3	128	1.88	160	1.5
	6.3	50.4	4.76	64.5	3.72	80.6	2.98	101	2.38	161	1.49	202	1.19
8	64	3.75	81.9	2.93	102	2.34	128	1.88	205	1.17	256	0.938	
10	80	3	102	2.34	128	1.88	160	1.5	256	0.938	320	0.75	
25×/9.5B	0.8	10	25	12.8	19.5	16	15.6	20	12.5	32	7.81	40	6.25
	1	12.5	20	16	15.6	20	12.5	25	10	40	6.25	50	5
	1.25	15.6	16	20	12.5	25	10	31.3	8	50	5	62.5	4
	1.6	20	12.5	25.6	9.77	32	7.81	40	6.25	64	3.91	80	3.13
	2	25	10	32	7.81	40	6.25	50	5	80	3.13	100	2.5
	2.5	31.3	8	40	6.25	50	5	62.5	4	100	2.5	125	2
	3.2	40	6.25	51.2	4.88	64	3.91	80	3.13	128	1.95	160	1.56
	4	50	5	64	3.91	80	3.13	100	2.5	160	1.56	200	1.25
	5	62.5	4	80	3.13	100	2.5	125	2	200	1.25	250	1
	6.3	78.8	3.17	101	2.48	126	1.98	158	1.59	252	0.992	315	0.794
8	100	2.5	128	1.95	160	1.56	200	1.25	320	0.781	400	0.625	
10	125	2	160	1.56	200	1.25	250	1	400	0.625	500	0.5	
40×/6B	0.8	16	15	20.5	11.7	25.6	9.38	32	7.5	51.2	4.69	64	3.75
	1	20	12	25.6	9.38	32	7.5	40	6	64	3.75	80	3
	1.25	25	9.6	32	7.5	40	6	50	4.8	80	3	100	2.4
	1.6	32	7.5	41	5.86	51.2	4.69	64	3.75	102	2.34	128	1.88
	2	40	6	51.2	4.69	64	3.75	80	3	128	1.88	160	1.5
	2.5	50	4.8	64	3.75	80	3	100	2.4	160	1.5	200	1.2
	3.2	64	3.75	81.9	2.93	102	2.34	128	1.88	205	1.17	256	0.938
	4	80	3	102	2.34	128	1.88	160	1.5	256	0.938	320	0.75
	5	100	2.4	128	1.88	160	1.5	200	1.2	320	0.75	400	0.6
	6.3	126	1.9	161	1.49	202	1.19	252	0.952	403	0.595	504	0.476
8	160	1.5	205	1.17	256	0.938	320	0.75	512	0.469	640	0.375	
10	200	1.2	256	0.938	320	0.75	400	0.6	640	0.375	800	0.3	

## LEICA M165 C OPTICAL DATA

Objectives		0.5× planachromatic		0.63× planapochromatic		0.8× planachromatic		1× planachromatic	1× planapochromatic	1.6× planapochromatic		2× planapochromatic	
Working distances		135 mm		97 mm	67 mm	112 mm		59 mm	61.5 mm	30.5 mm		20.1 mm	
Eyepieces	Zoom setting	Total mag.	Object field Ø	Total mag.	Object field Ø	Total mag.	Object field Ø	Total mag.	Object field Ø	Total mag.	Object field Ø	Total mag.	Object field Ø
		×	mm	×	mm	×	mm	×	mm	×	mm	×	mm
10×/23B	0.73	3.65	63	4.67	49.2	5.84	39.4	7.3	31.5	11.7	19.7	14.6	15.8
	1	5	46	6.4	35.9	8	28.8	10	23	16	14.4	20	11.5
	1.6	8	28.8	10.2	22.5	12.8	18	16	14.4	25.6	8.98	32	7.19
	2	10	23	12.8	18	16	14.4	20	11.5	32	7.19	40	5.75
	2.5	12.5	18.4	16	14.4	20	11.5	25	9.2	40	5.75	50	4.6
	3.2	16	14.4	20.5	11.2	25.6	8.98	32	7.19	51.2	4.49	64	3.59
	4	20	11.5	25.6	8.98	32	7.19	40	5.75	64	3.59	80	2.88
	5	25	9.2	32	7.19	40	5.75	50	4.6	80	2.88	100	2.3
	6.3	31.5	7.3	40.3	5.7	50.4	4.56	63	3.65	101	2.28	126	1.83
	8	40	5.75	51.2	4.49	64	3.59	80	2.88	128	1.8	160	1.44
	10	50	4.6	64	3.59	80	2.88	100	2.3	160	1.44	200	1.15
	12	60	3.83	76.8	2.99	96	2.4	120	1.92	192	1.2	240	0.96
16×/15B	0.73	5.84	41.1	7.48	32.1	9.34	25.7	11.7	20.5	18.7	12.8	23.4	10.3
	1	8	30	10.2	23.4	12.8	18.8	16	15	25.6	9.38	32	7.5
	1.6	12.8	18.8	16.4	14.6	20.5	11.7	25.6	9.38	41	5.86	51.2	4.69
	2	16	15	20.5	11.7	25.6	9.38	32	7.5	51.2	4.69	64	3.75
	2.5	20	12	25.6	9.38	32	7.5	40	6	64	3.75	80	3
	3.2	25.6	9.38	32.8	7.32	41	5.86	51.2	4.69	81.9	2.93	102	2.34
	4	32	7.5	41	5.86	51.2	4.69	64	3.75	102	2.34	128	1.88
	5	40	6	51.2	4.69	64	3.75	80	3	128	1.88	160	1.5
	6.3	50.4	4.76	64.5	3.72	80.6	2.98	101	2.38	161	1.49	202	1.19
	8	64	3.75	81.9	2.93	102	2.34	128	1.88	205	1.17	256	0.94
	10	80	3	102	2.34	128	1.88	160	1.5	256	0.94	320	0.75
	12	96	2.5	123	1.95	154	1.56	192	1.25	307	0.78	384	0.63
25×/9.5B	0.73	9.13	27.4	11.7	21.4	14.6	17.1	18.3	13.7	29.2	8.56	36.5	6.85
	1	12.5	20	16	15.6	20	12.5	25	10	40	6.25	50	5
	1.6	20	12.5	25.6	9.77	32	7.81	40	6.25	64	3.91	80	3.13
	2	25	10	32	7.81	40	6.25	50	5	80	3.13	100	2.5
	2.5	31.3	8	40	6.25	50	5	62.5	4	100	2.5	125	2
	3.2	40	6.25	51.2	4.88	64	3.91	80	3.13	128	1.95	160	1.56
	4	50	5	64	3.91	80	3.13	100	2.5	160	1.56	200	1.25
	5	62.5	4	80	3.13	100	2.5	125	2	200	1.25	250	1
	6.3	78.8	3.17	101	2.48	126	1.98	158	1.59	252	0.99	315	0.79
	8	100	2.5	128	1.95	160	1.56	200	1.25	320	0.78	400	0.63
	10	125	2	160	1.56	200	1.25	250	1	400	0.63	500	0.5
	12	150	1.67	192	1.3	240	1.04	300	0.83	480	0.52	600	0.42
40×/6B	0.73	14.6	16.4	18.7	12.8	23.4	10.3	29.2	8.22	46.7	5.14	58.4	4.11
	1	20	12	25.6	9.38	32	7.5	40	6	64	3.75	80	3
	1.6	32	7.5	41	5.86	51.2	4.69	64	3.75	102	2.34	128	1.88
	2	40	6	51.2	4.69	64	3.75	80	3	128	1.88	160	1.5
	2.5	50	4.8	64	3.75	80	3	100	2.4	160	1.5	200	1.2
	3.2	64	3.75	81.9	2.93	102	2.34	128	1.88	205	1.17	256	0.94
	4	80	3	102	2.34	128	1.88	160	1.5	256	0.94	320	0.75
	5	100	2.4	128	1.88	160	1.5	200	1.2	320	0.75	400	0.6
	6.3	126	1.9	161	1.49	202	1.19	252	0.95	403	0.60	504	0.48
	8	160	1.5	205	1.17	256	0.94	320	0.75	512	0.47	640	0.38
	10	200	1.2	256	0.94	320	0.75	400	0.6	640	0.38	800	0.3
	12	240	1	307	0.78	384	0.63	480	0.5	768	0.31	960	0.25

## LEICA M205 C / LEICA M205 A OPTICAL DATA

Objectives		0.5× planachromatic		0.63× planapochromatic		0.8× planachromatic		1× planachromatic	1× planapochromatic	1.6× planapochromatic		2× planapochromatic	
Working distances		135 mm		97mm	67mm	112mm		59mm	61.5mm	30.5mm		20.1mm	
Eyepieces	Zoom setting	Total mag.	Object field Ø	Total mag.	Object field Ø	Total mag.	Object field Ø	Total mag.	Object field Ø	Total mag.	Object field Ø	Total mag.	Object field Ø
		×	mm	×	mm	×	mm	×	mm	×	mm	×	mm
10×/23B	0.78	3.9	59	4.99	46.1	6.24	36.9	7.8	29.5	12.5	18.4	15.6	14.7
	1.0	5	46	6.4	35.9	8	28.8	10	23	16	14.4	20	11.5
	1.6	8	28.8	10.2	22.5	12.8	18	16	14.4	25.6	8.98	32	7.19
	2.0	10	23	12.8	18	16	14.4	20	11.5	32	7.19	40	5.75
	2.5	12.5	18.4	16	14.4	20	11.5	25	9.2	40	5.75	50	4.6
	4.0	20	11.5	25.6	8.98	32	7.19	40	5.75	64	3.59	80	2.88
	5.0	25	9.2	32	7.19	40	5.75	50	4.6	80	2.88	100	2.3
	6.3	31.5	7.3	40.3	5.7	50.4	4.56	63	3.65	101	2.28	126	1.83
	8.0	40	5.75	51.2	4.49	64	3.59	80	2.88	128	1.8	160	1.44
	10.0	50	4.6	64	3.59	80	2.88	100	2.3	160	1.44	200	1.15
	12.5	62.5	3.68	80	2.88	100	2.3	125	1.84	200	1.15	250	0.92
16.0	80	2.88	102	2.25	128	1.8	160	1.44	256	0.90	320	0.72	
16×/15B	0.78	6.24	38.5	7.9	30.0	9.98	24	12.5	19.2	20	12	25	9.62
	1.0	8	30	10.1	23.4	12.8	18.8	16	15	25.6	9.38	32	7.5
	1.6	12.8	18.8	16.1	14.6	20.5	11.7	25.6	9.38	41	5.86	51.2	4.69
	2.0	16	15	20.2	11.7	25.6	9.38	32	7.5	51.2	4.69	64	3.75
	2.5	20	12	25.2	9.38	32	7.5	40	6	64	3.75	80	3
	4.0	32	7.5	40.3	5.86	51.2	4.69	64	3.75	102	2.34	128	1.88
	5.0	40	6	50.4	4.69	64	3.75	80	3	128	1.88	160	1.5
	6.3	50.4	4.76	63.5	3.72	80.6	2.98	101	2.38	161	1.49	202	1.19
	8.0	64	3.75	80.6	2.93	102	2.34	128	1.88	205	1.17	256	0.94
	10.0	80	3	100.8	2.34	128	1.88	160	1.5	256	0.94	320	0.75
	12.5	100	2.4	126	1.88	160	1.5	200	1.2	320	0.75	400	0.6
16.0	128	1.88	161.3	1.46	205	1.17	256	0.94	410	0.59	512	0.47	
25×/9.5B	0.78	9.75	25.6	12.5	20	15.6	16	19.5	12.8	31.2	8.01	39	6.41
	1.0	12.5	20	16	15.6	20	12.5	25	10	40	6.25	50	5
	1.6	20	12.5	25.6	9.77	32	7.81	40	6.25	64	3.91	80	3.13
	2.0	25	10	32	7.81	40	6.25	50	5	80	3.13	100	2.5
	2.5	31.3	8	40	6.25	50	5	62.5	4	100	2.5	125	2
	4.0	50	5	64	3.91	80	3.13	100	2.5	160	1.56	200	1.25
	5.0	62.5	4	80	3.13	100	2.5	125	2	200	1.25	250	1
	6.3	78.8	3.17	101	2.48	126	1.98	158	1.59	252	0.99	315	0.79
	8.0	100	2.5	128	1.95	160	1.56	200	1.25	320	0.78	400	0.63
	10.0	125	2	160	1.56	200	1.25	250	1	400	0.63	500	0.5
	12.5	156	1.6	200	1.25	250	1	313	0.8	500	0.5	625	0.4
16.0	200	1.25	256	0.98	320	0.781	400	0.63	640	0.39	800	0.31	
40×/6B	0.78	15.6	15.4	20	12	25	9.62	31.2	7.69	49.9	4.81	62.4	3.85
	1.0	20	12	25.6	9.38	32	7.5	40	6	64	3.75	80	3
	1.6	32	7.5	41	5.86	51.2	4.69	64	3.75	102	2.34	128	1.88
	2.0	40	6	51.2	4.69	64	3.75	80	3	128	1.88	160	1.5
	2.5	50	4.8	64	3.75	80	3	100	2.4	160	1.5	200	1.2
	4.0	80	3	102	2.34	128	1.88	160	1.5	256	0.94	320	0.75
	5.0	100	2.4	128	1.88	160	1.5	200	1.2	320	0.75	400	0.6
	6.3	126	1.9	161	1.49	202	1.19	252	0.95	403	0.60	504	0.48
	8.0	160	1.5	205	1.17	256	0.94	320	0.75	512	0.47	640	0.38
	10.0	200	1.2	256	0.94	320	0.75	400	0.6	640	0.38	800	0.3
	12.5	250	0.96	320	0.75	400	0.6	500	0.48	800	0.3	1000	0.24
16.0	320	0.75	410	0.59	512	0.47	640	0.38	1024	0.23	1280	0.19	

**Digital camera systems**

- 12 730 465 Leica MC170 HD camera kit
- 12 730 520 Leica MC190 HD camera kit
- 12 730 517 Leica DMC4500 camera kit
- 12 730 466 Leica DMC2900 camera kit
- 12 730 469 Leica DFC295 camera kit
- 12 730 412 Leica DFC450 C camera kit
- 12 730 471 Leica DFC495 camera kit
- 12 730 455 Leica DFC550 camera kit

- 11 547 005 Leica DFC3000 G camera kit
- 11 547 004 Leica DFC365 FX camera kit
- 11 547 106 Leica DFC7000T camera kit

- 12 730 521 Leica IC90 E camera (incl. USB-cable and Leica software) not recommended for MZ10 F / M165 FC / M205 FA
- 12 730 528 Leica stand alone kit (HDMI cable, SD card, USB power supply, remote control RC3, ethernet cable) for IC90 E
- 12 730 229 Hand or foot switch with 2 m cable for IC90 E

**Digitale camera system accessories**

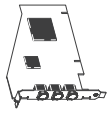
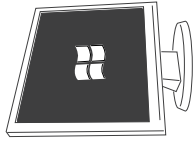
- 11 600 269 FireWire cable, FW-b-b, 2.5 m, 9-pin to 9-pin
- 11 600 254 FireWire cable, FW-a-b, 2.5 m, 6-pin to 9-pin
- 12 730 211 HDMI-cable, 3 m, HDMI 2x Standard-A
- 12 730 530 USB3-cable, 3 m standard-A to micro-B
- 12 730 446 FW-b, notebook kit (includes PCcard express, power supply, 100-240 V, 24 W, adapter FW-b-a)
- 12 730 447 FW-b, PCI express card
- 12 730 495 USB3, PCI express card

**Phototubes and C-mounts**

- 10 447 319 Adapter T2, Canon EOS
- 10 447 436 1.6x DSLR tube with T2 thread (APS-C sensor)
- 10 446 175 2.5x DSLR tube with T2 thread (24x36 mm sensor)
- 10 445 928 0.32x video objective with C-mount for 1/3" digital cameras
- 10 450 528 0.5x video objective with C-mount for 1/2" digital cameras
- 10 447 367 0.63x video objective with C-mount for 2/3" digital cameras
- 10 446 307 0.8x video objective with C-mount for 2/3" digital cameras
- 10 445 930 1.0x video-/photo objective
- 10 450 317 1.0x C-mount adapter for HC

**Eyepieces and tubes**

- 10 450 630 Wide-field eyepieces for eyeglass wearers 10x/23, distortion-free, dioptic correction, with eyecups\*
- 10 450 631 Wide-field eyepieces for eyeglass wearers 16x/15, distortion-free, dioptic correction, with eyecups\*
- 10 450 632 Wide-field eyepieces for eyeglass wearers 25x/9.5, distortion-free, dioptic correction, with eyecups\*
- 10 450 633 Wide-field eyepieces for eyeglass wearers 40x/6, distortion-free, dioptic correction, with eyecups\* replaceable
- 10 450 054 Reticule for M-series with encoding
- 10 450 116 Reticule, 5 mm/0.05 mm
- 10 450 117 Reticule 10 mm/0.1 mm
- 10 450 118 Graticule, 100 scale intervals/0.001"
- 10 450 119 Reticule, crosshair
- 10 450 314 Plain glass plate with mount, with holder
- 10 450 336 Reticule 12 mm



**PC Cards**

- 12 730 446, FW-b, notebook kit
- 12 730 447, FW-b, PCI express
- 12 730 495, USB3, PCI express

**Cables**

- 11 600 269, FW-b-b
- 11 600 254, FW-a-b
- 12 730 211, HDMI-cable
- 12 730 530, USB3-cable



**DFC550**  
12 730 455



**DFC7000 T**  
11 547 106  
**DFC365 FX**  
11 547 004



**DFC3000 G**  
11 547 005  
**DFC450 C**  
12 730 412  
**DFC495**  
12 730 471



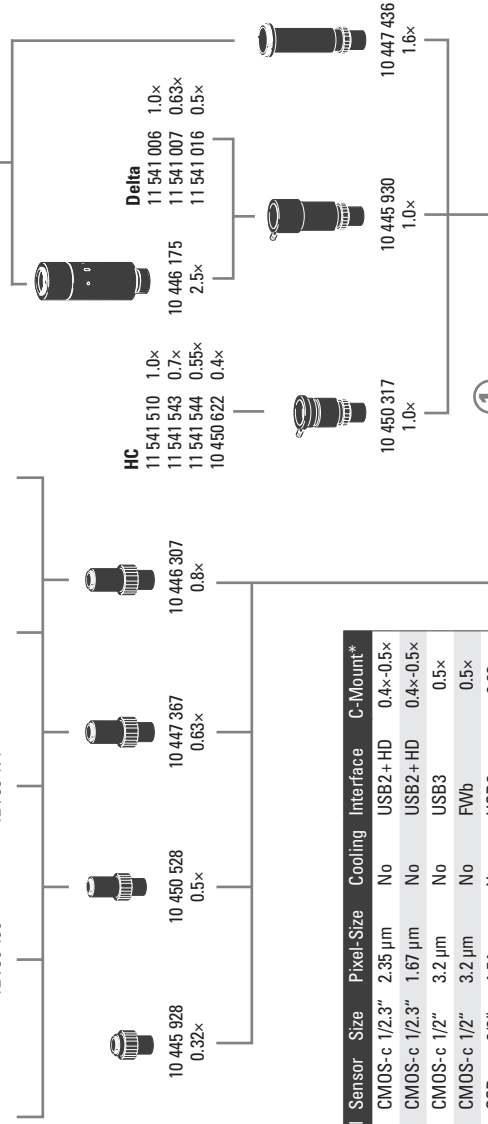
**DMC4500**  
12 730 411  
**DMC2900**  
12 730 466  
**DFC295**  
12 730 469



**MC170 HD**  
12 730 465  
**MC190 HD**  
12 730 520



**D-SLR**  
10 447 319



Connection to main diagram next page

Name	MPixel	Sensor	Size	Pixel-Size	Cooling	Interface	C-Mount*
MC170 HD	5	CMOS-c	1/2.3"	2.35 µm	No	USB2+HD	0.4x-0.5x
MC190 HD	10	CMOS-c	1/2.3"	1.67 µm	No	USB2+HD	0.4x-0.5x
DMC2900	3	CMOS-c	1/2"	3.2 µm	No	USB3	0.5x
DFC295	3	CMOS-c	1/2"	3.2 µm	No	FWb	0.5x
DFC7000T	2.8	CCD-c	2/3"	4.54 µm	Yes	USB3	0.63x
DMC4500	5	CCD-c	2/3"	3.4 µm	No	USB3	0.63x
DFC450 C	5	CCD-c	2/3"	3.4 µm	Yes	FWb + Sync	0.5x
DFC495	8	CCD-c	2/3"	2.7 µm	Yes	FWb + Sync	0.63x
DFC550	12.5	CCD-c	2/3"	6.45 µm	Yes	FWb + Sync	0.63x
DFC3000 G	1.3	CCD-m	1/3"	3.75 µm	No	USB3+Sync	0.35x-0.4x
DFC365 FX	1.4	CCD-m	2/3"	6.45 µm	Yes	FWb + Sync	0.7x

-c: color / -m: monochrome / \* recommended

Stereo 2016/IV.1

### Eyepieces and tubes

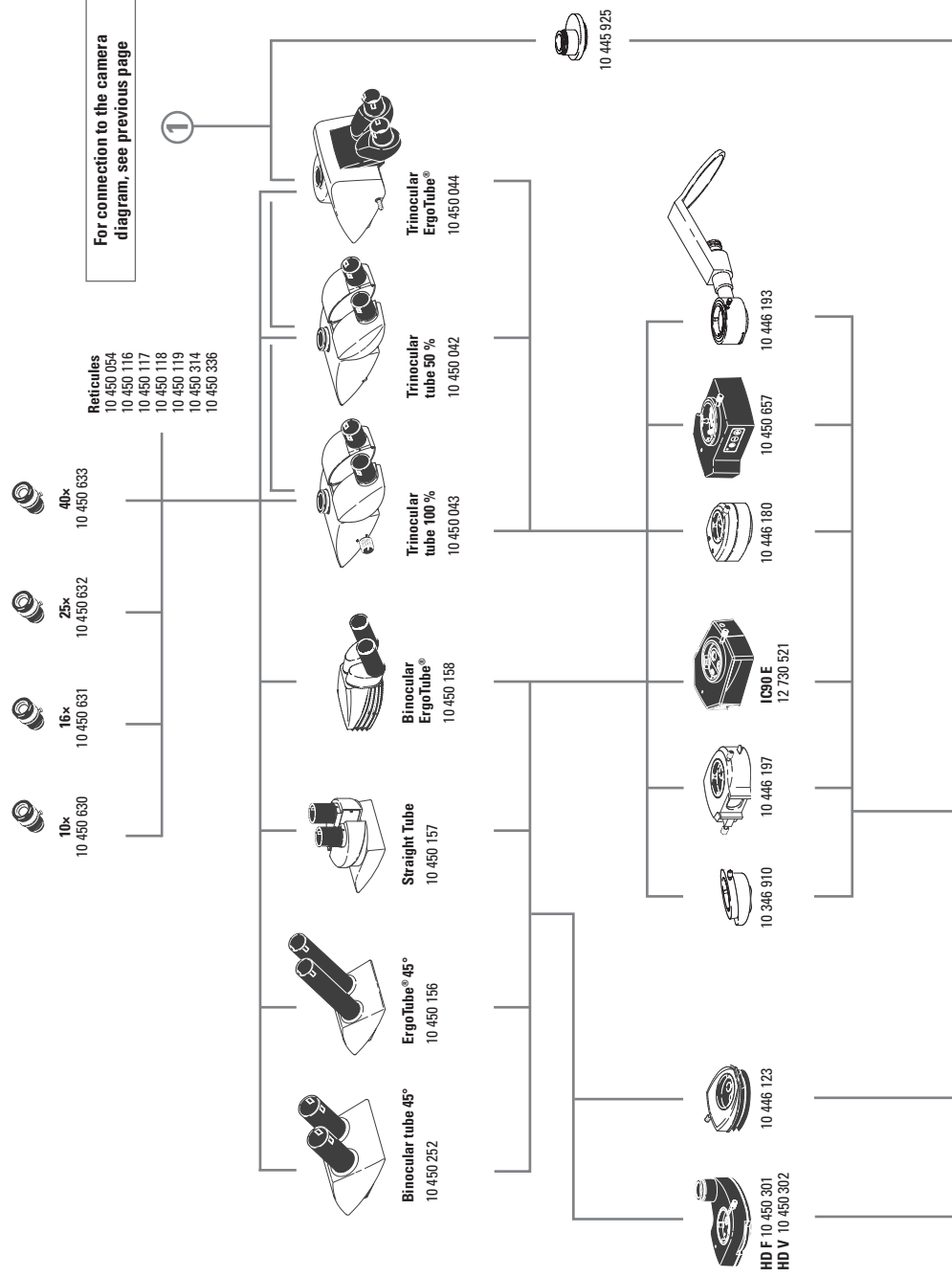
- 10 450 252 Inclined binocular tube, 45° viewing angle
- 10 450 156 Binocular ErgoTube® with 45° viewing angle and long tubes
- 10 450 157 Straight binocular tube with 90° viewing angle
- 10 450 158 Binocular ErgoTube® with variable 10° – 50° viewing angle
- 10 450 042 Trinocular video / phototube 50 %, 30° viewing angle
- 10 450 043 Trinocular video / phototube 100 %, 30° viewing angle
- 10 450 044 Trinocular video / phototube 100 %, 5° – 45° viewing angle
- 10 446 123 ErgoWedge® 5° – 25°
- 10 346 910 ErgoWedge® ±15
- 10 446 197 Video/phototube HD-50
- 10 450 301 Video/photo tube HD-F, 50 %, 50 %
- 10 450 302 Video/photo tube HD-V, 100 %, 50 %, 50 %, 100 %
- 12 730 521 Leica IC90 E camera kit
- 10 446 180 Coaxial incident-light housing for fiber-optic light
- 10 445 925 Video/photo tube A
- 10 446 193 Drawing tube

### Zoom systems and accessories

- 10 450 825 Leica M125 C, 12.5:1 zoom system, apochromatic
- 10 450 035 Leica M165 C, 16.5:1 zoom system, apochromatic, electronically encoded
- 10 450 036 Leica M205 C, 20.5:1 zoom system, apochromatic, electronically encoded, with FusionOptics
- 10 450 037 Leica M205 A, 20.5:1 zoom, apochr. corr., motorized, with FusionOptics
- 10 450 045 Objective nosepiece for quickly changing two objectives
- 10 450 047 Microscope carrier AX with toggle feature for axial photography
- 10 450 201 Ergo-Intermediate adapter
- 10 450 104 Microscope carrier for MZ series optics carriers
- 10 450 265 Arm for attaching waveguides

### Objectives and optical accessories

- 10 446 157 Planachromatic objective 0.5x, working distance 135 mm, Ø 66 mm
- 10 447 075 Planachromatic objective 0.8x, working distance 112 mm, Ø 66 mm
- 10 445 819 Planachromatic objective 1x, working distance 59 mm, Ø 66 mm
- 10 446 236 Planapochromatic objective 0.63x, working dist. 97 mm, Ø 66 mm
- 10 450 027 Planapochromatic objective 0.63x, working dist. 67 mm, Ø 80 mm
- 10 450 028 Planapochromatic objective 1.0x, working dist. 61.5 mm, Ø 80 mm
- 10 450 029 Planapochromatic objective 1.6x, working dist. 30.5 mm, Ø 80 mm
- 10 450 030 Planapochromatic objective 2x, working dist. 20.1 mm, Ø 85 mm
- 10 450 683 Planapochromatic objective 2.0x CORR, working dist. 20.1 mm, Ø 85 mm
- 10 450 191 Achromatic objective 0.32x, working distance 303 mm, Ø 58 mm
- 10 450 192 Achromatic objective 0.5x, working distance 188.5 mm, Ø 58 mm
- 10 450 160 Achromatic objective 0.63x, working distance 148 mm, Ø 58 mm
- 10 450 161 Achromatic objective 0.8x, working distance 114 mm, Ø 58 mm
- 10 450 159 Achromatic objective 1.0x, working distance 89.6 mm, Ø 58 mm
- 10 450 162 Achromatic objective 1.25x, working distance 65.5 mm, Ø 58 mm
- 10 450 163 Achromatic objective 1.6x, working distance 46 mm, Ø 58 mm
- 10 450 164 Achromatic objective 2x, working distance 41.5 mm, Ø 58 mm
- 10 411 597 Achromatic objective f = 100 mm
- 10 441 787 Achromatic objective f = 150 mm
- 10 431 692 Achromatic objective f = 175 mm
- 10 382 162 Achromatic objective f = 200 mm
- 10 407 743 Achromatic objective f = 250 mm
- 10 382 168 Achromatic objective f = 300 mm
- 10 431 693 Achromatic objective f = 350 mm
- 10 382 172 Achromatic objective f = 400 mm





10 450 552 Adapter with outer diameter M65×1 / inner Ø M60×1.5  
 10 450 065 Analyzer in rotatable mount, Ø 80 mm, for planachromatic and planapochromatic Ø 80 mm  
 10 450 066 Quarter-wave plate, Ø 80 mm, for use with microscope carrier AX with coaxial incident light  
 10 367 929 Analyzer in revolving mount for planachromatic and planapochromatic Ø 66 mm

**Illumination**  
 10 450 494 LED5000 RL-80/40 — Ring illuminator, 2<sup>nd</sup> generation, for Ø 80 mm objectives, 40 power LEDs, 5,600 K color temperature, optimized LED auxiliary lens, selectable segments, working distance: 50–80 mm  
 10 450 497 Polarization set for Leica LED5000 RL-80/40  
 10 450 498 Diffuser for Leica LED5000 RL-80/40  
 10 450 267 RLA 80/66 Ring illuminator adapter for LED5000 RL for objectives with Ø 66 mm

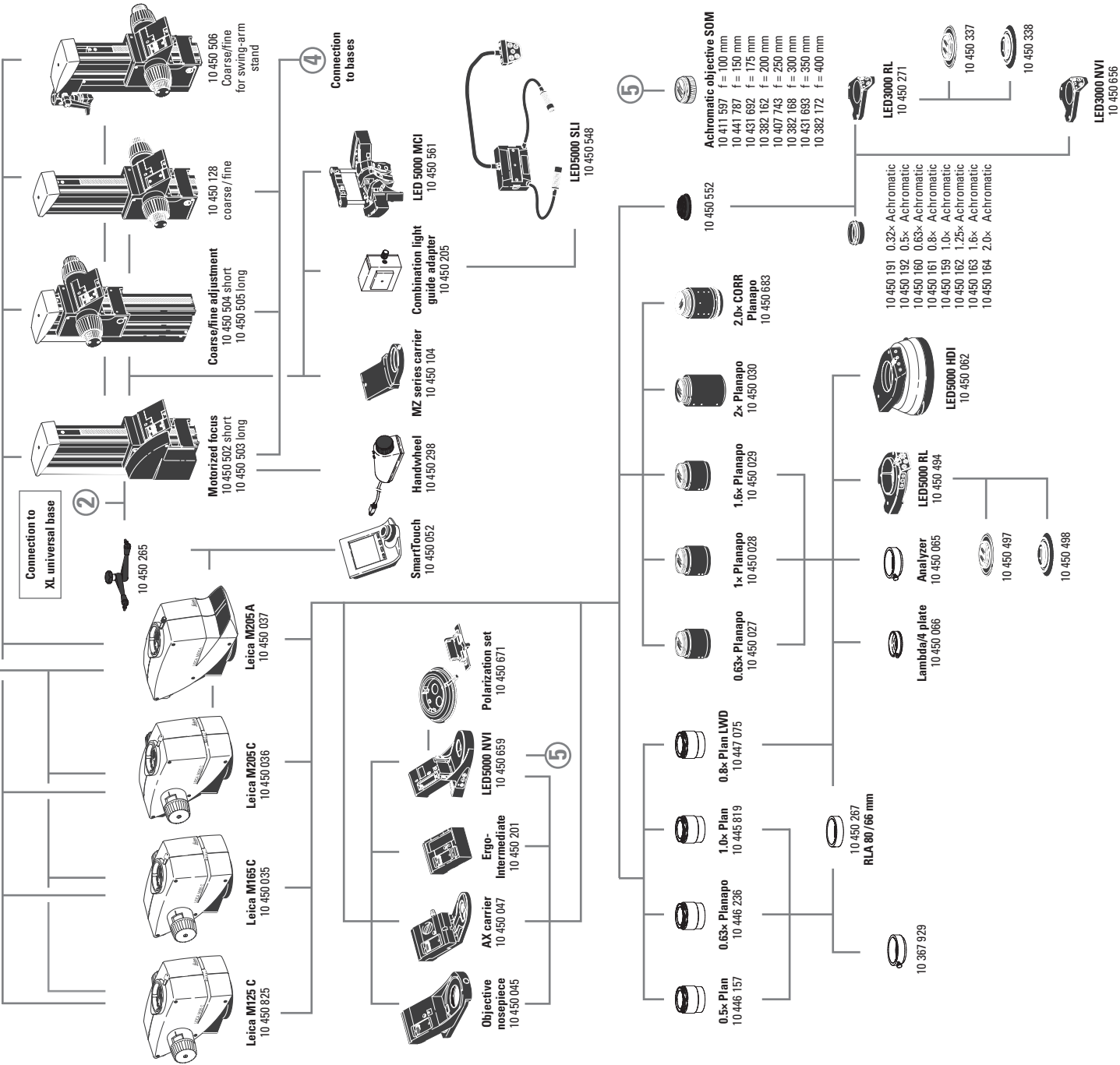
10 450 548 LED5000 SLI, spotlight illumination, double-armed gooseneck 500 mm long, with 2 power LEDs, 5,600 K color temperature, control unit on separate gooseneck, incl. diffuser pair  
 10 450 561 LED5000 MCI, multi-contrast illumination, 2<sup>nd</sup> generation; with 9 power LEDs, 2 movable illuminator arcs  
 10 450 657 LED5000 CXI — coaxial LED incident-light illumination, 1.5× magnification factor  
 10 450 062 LED5000 HDI, diffuse illumination, FlexiDome, ideal for highly reflective specimens  
 10 450 659 LED5000 NVI, near-vertical illumination for high-end stereo microscope

10 450 671 Polarization set for LED5000 NVI  
 10 450 205 Combination light guide—adapter to focusing columns of the high-performance M series, for LED5000 SLI  
 10 450 271 LED3000 RL — ring illuminator, Ø 58 mm objectives, 24 power LEDs, 5,600 K color temperature, optimized LED auxiliary lens, selectable segments, optimized for 60–150 mm working distance

10 450 337 Polarization set for Leica LED3000 RL  
 10 450 338 Diffuser for Leica LED3000 RL  
 10 450 656 LED3000 NVI — vertical illuminator for Ø 58 mm objectives, for 60–150 mm working distance  
 10 450 266 Power supply for LED3000/LED5000

**Focusing drive**  
 10 450 504 Coarse/fine focusing drive with profile column 420 mm  
 10 450 505 Coarse/fine focusing drive with profile column 620 mm  
 10 450 502 Motorized focus with profile column 420 mm  
 10 450 503 Motorized focus with profile column 620 mm  
 10 450 506 Focusing drive coarse/fine for swing-arm stand  
 10 450 128 Focusing drive coarse/fine

**Controls**  
 11 505 180 Leica SmartMove control unit for  
 10 447 444 Leica IsoPro motorized cross-stage  
 10 450 052 Leica IsoPro motorized mechanical stage  
 SmartTouch, external control unit with integrated touchscreen for status control and control of all settings and functions  
 10 450 298 Manual controller for motorized focus  
 10 447 398 Footswitch for motorized stereomicroscopes



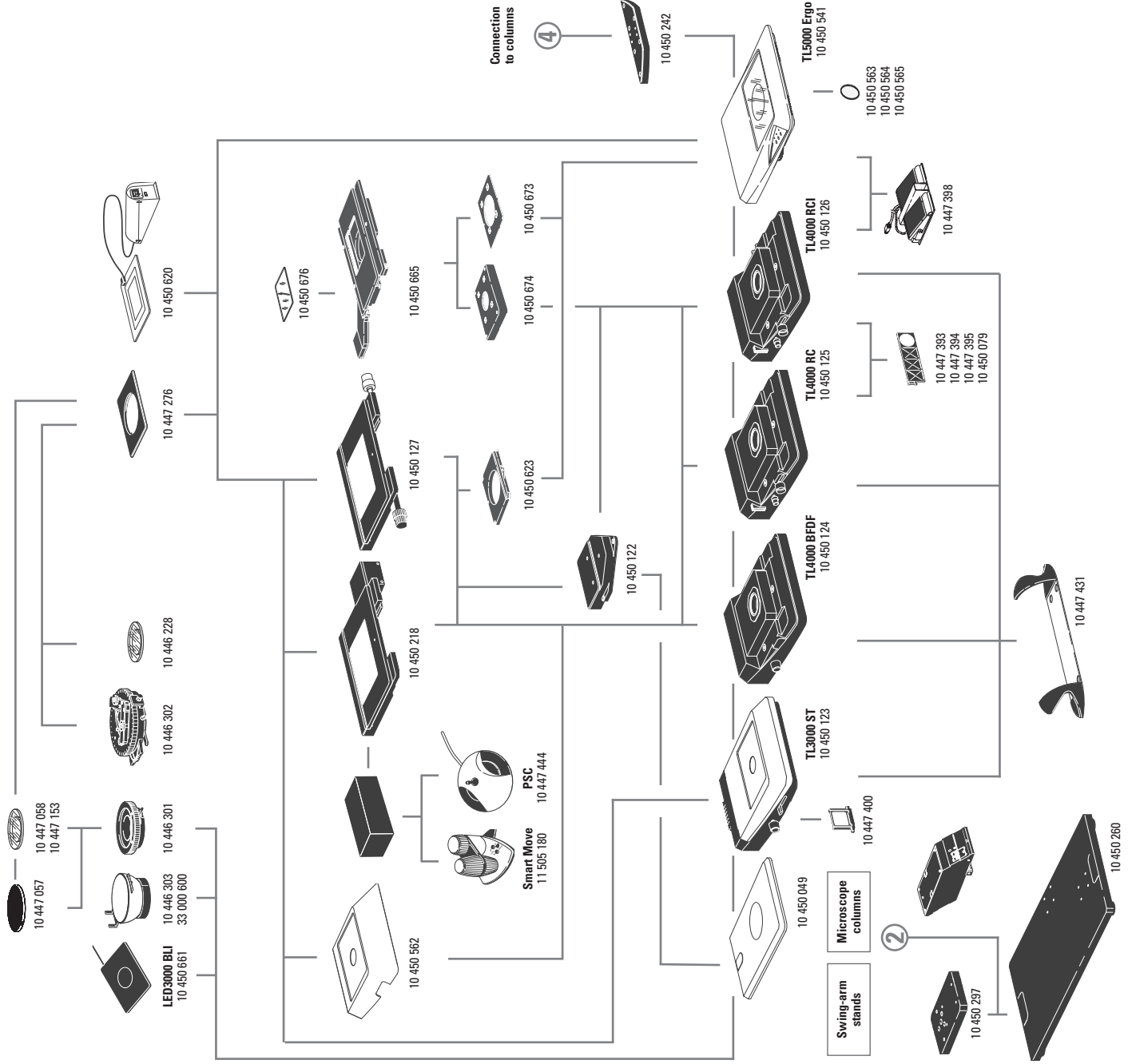
10 450 552 Adapter with outer diameter M65×1 / inner Ø M60×1.5  
 10 450 065 Analyzer in rotatable mount, Ø 80 mm, for planachromatic and planapochromatic Ø 80 mm  
 10 450 066 Quarter-wave plate, Ø 80 mm, for use with microscope carrier AX with coaxial incident light  
 10 367 929 Analyzer in revolving mount for planachromatic and planapochromatic Ø 66 mm  
 10 450 494 LED5000 RL-80/40 — Ring illuminator, 2<sup>nd</sup> generation, for Ø 80 mm objectives, 40 power LEDs, 5,600 K color temperature, optimized LED auxiliary lens, selectable segments, working distance: 50–80 mm  
 10 450 497 Polarization set for Leica LED5000 RL-80/40  
 10 450 498 Diffuser for Leica LED5000 RL-80/40  
 10 450 267 RLA 80/66 Ring illuminator adapter for LED5000 RL for objectives with Ø 66 mm  
 10 450 548 LED5000 SLI, spotlight illumination, double-armed gooseneck 500 mm long, with 2 power LEDs, 5,600 K color temperature, control unit on separate gooseneck, incl. diffuser pair  
 10 450 561 LED5000 MCI, multi-contrast illumination, 2<sup>nd</sup> generation; with 9 power LEDs, 2 movable illuminator arcs  
 10 450 657 LED5000 CXI — coaxial LED incident-light illumination, 1.5× magnification factor  
 10 450 062 LED5000 HDI, diffuse illumination, FlexiDome, ideal for highly reflective specimens  
 10 450 659 LED5000 NVI, near-vertical illumination for high-end stereo microscope  
 10 450 671 Polarization set for LED5000 NVI  
 10 450 205 Combination light guide—adapter to focusing columns of the high-performance M series, for LED5000 SLI  
 10 450 271 LED3000 RL — ring illuminator, Ø 58 mm objectives, 24 power LEDs, 5,600 K color temperature, optimized LED auxiliary lens, selectable segments, optimized for 60–150 mm working distance  
 10 450 337 Polarization set for Leica LED3000 RL  
 10 450 338 Diffuser for Leica LED3000 RL  
 10 450 656 LED3000 NVI — vertical illuminator for Ø 58 mm objectives, for 60–150 mm working distance  
 10 450 266 Power supply for LED3000/LED5000  
**Focusing drive**  
 10 450 504 Coarse/fine focusing drive with profile column 420 mm  
 10 450 505 Coarse/fine focusing drive with profile column 620 mm  
 10 450 502 Motorized focus with profile column 420 mm  
 10 450 503 Motorized focus with profile column 620 mm  
 10 450 506 Focusing drive coarse/fine for swing-arm stand  
 10 450 128 Focusing drive coarse/fine  
**Controls**  
 11 505 180 Leica SmartMove control unit for  
 10 447 444 Leica IsoPro motorized cross-stage  
 10 450 052 Leica IsoPro motorized mechanical stage  
 SmartTouch, external control unit with integrated touchscreen for status control and control of all settings and functions  
 10 450 298 Manual controller for motorized focus  
 10 447 398 Footswitch for motorized stereomicroscopes

### Incident-light and transmitted-light bases

- 10 450 049 Incident-light base
- 10 450 123 Transmitted light base TL3000 ST with bright field (HF) and single-sided dark field (DF)
- 10 447 400 Daylight filter for TL3000 ST base
- 10 450 124 Transmitted light base TL4000 BFDF for external cold-light sources with HF and circular DF
- 10 450 125 Transmitted light base TL4000 RC for external cold-light sources with HF, single-sided DF and Rottermann Contrast (RC)
- 10 450 126 Transmitted light base TL4000 RC with HF, DF, RC
- 10 447 393 Filter ND (gray filter) for base TL4000 RC/RCI
- 10 447 394 BG38 filter for base TL4000 RC/RCI
- 10 447 395 UV filter for TL4000 RC/RCI base
- 10 450 079 Daylight filter for base TL4000 RCI
- 10 450 541 Transmitted light base TL5000 Ergo with integrated LED illumination, automatic contrasting, HF, double-sided DF and RC
- 10 450 563 Milk-glass filter for base TL5000 Ergo
- 10 450 564 Green filter for base TL5000 Ergo
- 10 450 565 Polarization filter for base TL5000 Ergo
- 10 450 242 Standard adapter plate between column and transmitted light base
- 10 450 260 Universal base XL for specimens up to 300 x 300 mm
- 10 450 297 Adapter for base 10 450 260 for all swinging-arm columns
- 10 450 289 XL extension – for positioning Leica stereomicroscopes on universal base 10 450 260
- 10 447 431 Leica ErgoRest handrest for fatigue-free working

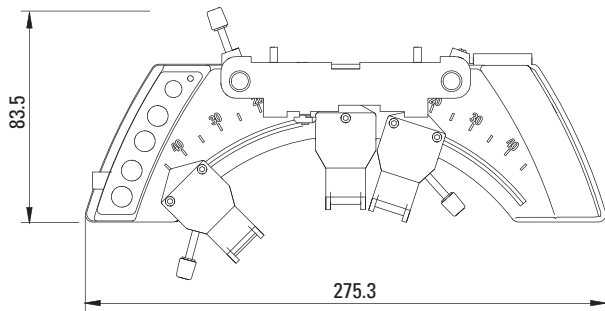
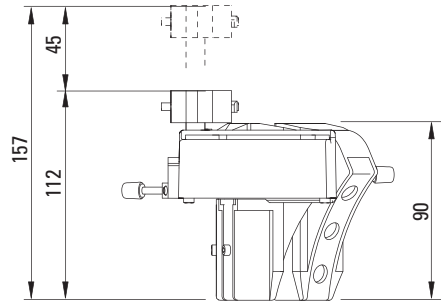
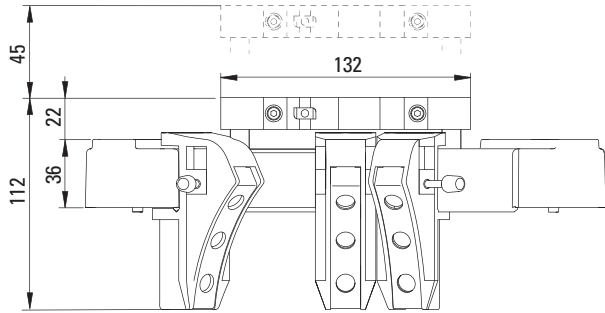
### Stages

- 10 450 562 Standard stage for transmitted light bases TL4000 BFDF, TL4000 RC and TL4000 RCI
- 10 450 665 Scanning stage with linear motors and absolute measuring system
- 10 450 673 Stage Adapter for TL5000 Ergo
- 10 450 674 Stage Adapter for TL4000 Series
- 10 450 676 Glass insert for scanning stage 10 450 665
- 10 450 127 Leica IsoPro Manual Cross Stage for transmitted light bases TL4000 BFDF, TL4000 RC, TL4000 RCI and incident light base (with adapter 10 450 122)
- 10 450 218 Leica IsoPro Motorized Cross-stage for transmitted light bases TL4000 BFDF, TL4000 RC, TL4000 RCI and incident light base (with adapter 10 450 122)
- 10 450 122 Adapter between cross-stage and incident-light base 10 450 049
- 10 450 623 Adapter between cross-stages 10 450 218 / 10 450 127 and TL5000 Ergo
- 10 450 620 Leica MAYS TL heating stage insert with control unit for TL bases
- 10 447 276 Adapter for stages with  $\varnothing$  120 mm
- 10 446 301 Gliding stage,  $\varnothing$  120 mm
- 10 447 153 Glass plate matte,  $\varnothing$  120 mm
- 10 450 057 Stage plate black/white,  $\varnothing$  120 mm
- 10 450 058 Stage plate b/w for TL bases,  $\varnothing$  120 mm
- 10 446 302 Polarization stage,  $\varnothing$  120 mm
- 10 382 130 Adjustable mechanical stage for polarization stage
- 10 361 719 Red compensator 1 for Pol rotating stage
- 10 446 303 Cup stage,  $\varnothing$  120 mm
- 33 000 600 Cup stage,  $\varnothing$  120 mm, surface  $\varnothing$  150 mm, revolving
- 10 446 228 Glass insert with Pol,  $\varnothing$  120 mm
- 10 450 059 Additional buttons for IsoPro Manual Cross-stage LED3000 BLI; backlight illumination for  $\varnothing$  120 mm; 170x220 mm

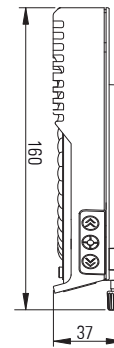
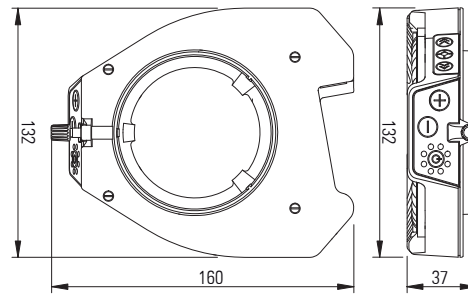


## LEICA LED5000 MCI DIMENSIONS

Dimensions in mm



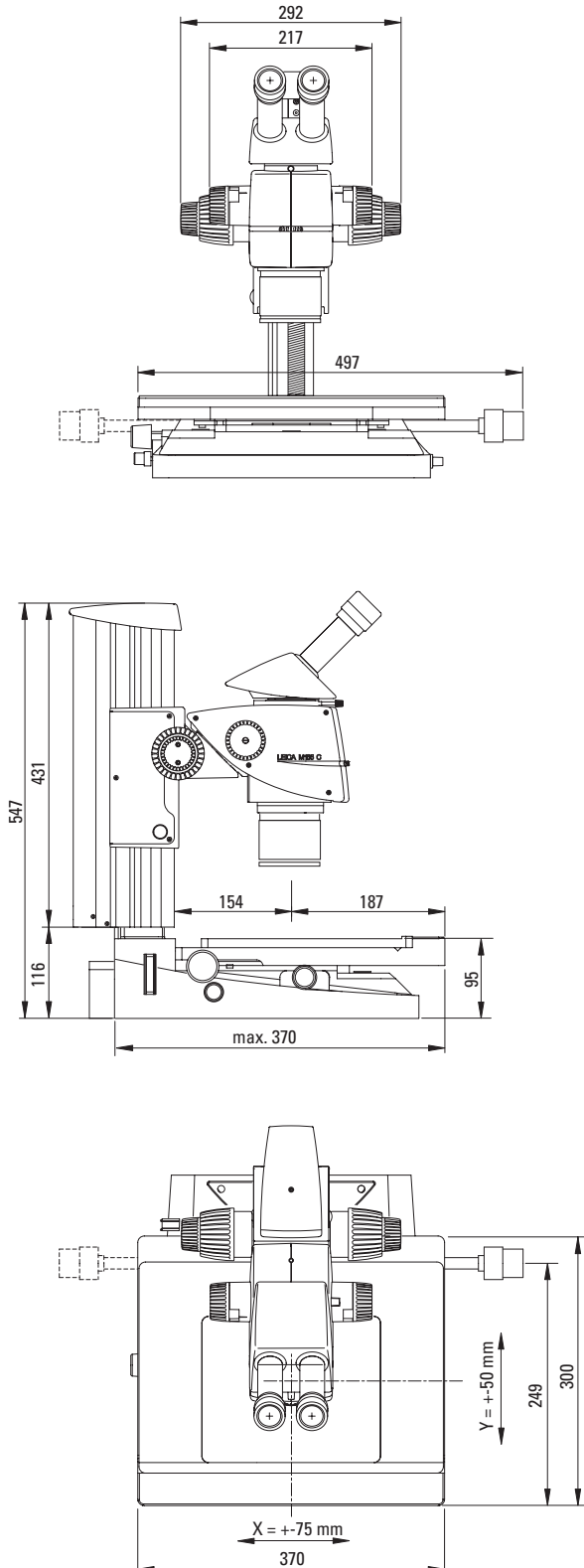
## LEICA LED5000 RL DIMENSIONS



## LEICA M165 C/LEICA M125 C DIMENSIONS

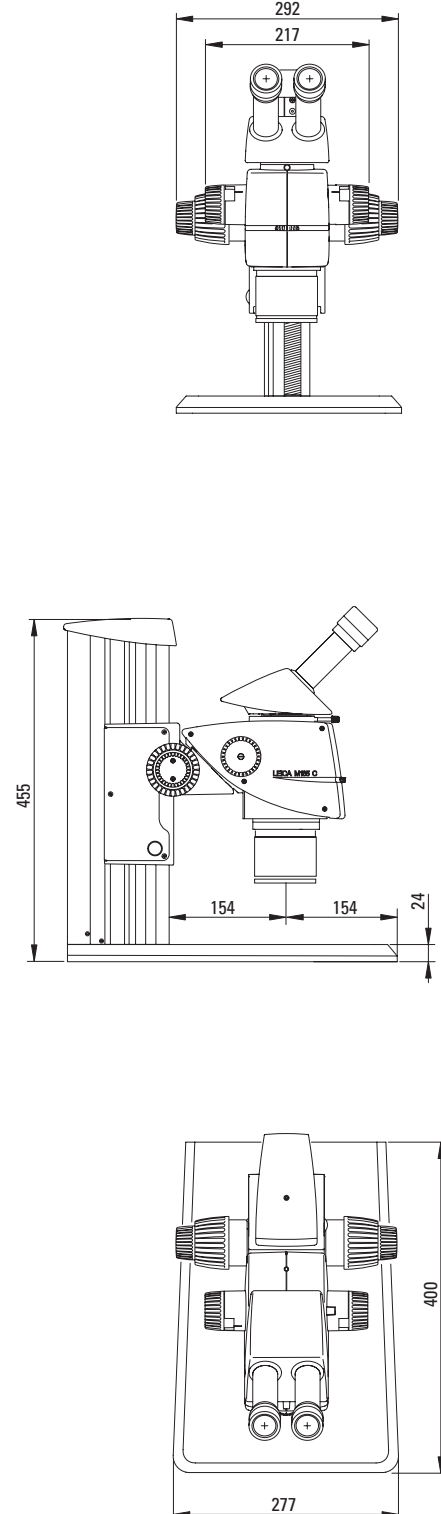
with TL4000 TL RC transmitted-light base, Leica IsoPro  
Manual Cross-stage and manual focusing drive

Dimensions in mm



## LEICA M165 C/LEICA M125 C DIMENSIONS

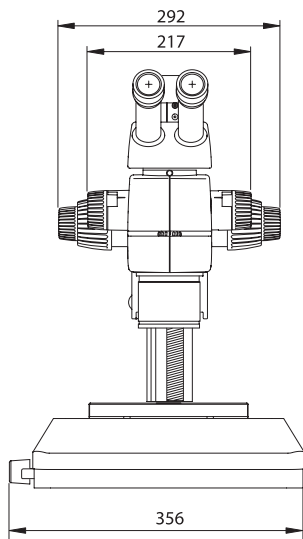
with incident-light base and new focusing column



## LEICA M165 C/LEICA M125 C DIMENSIONS

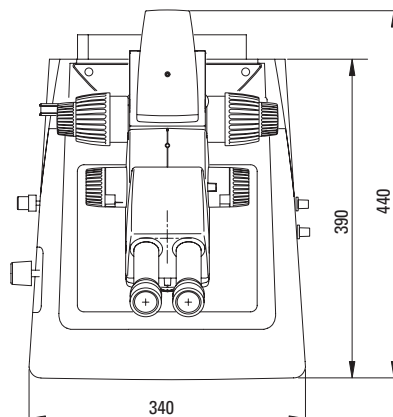
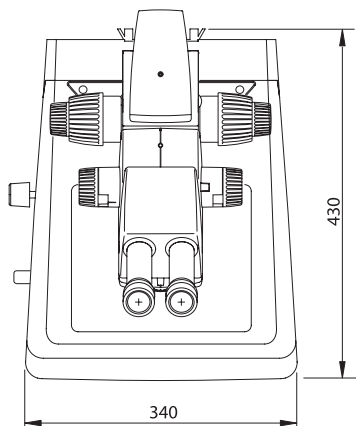
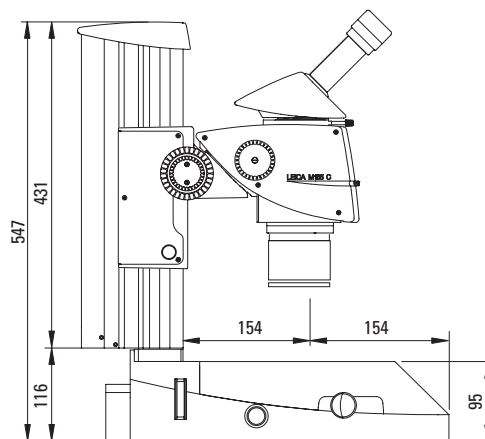
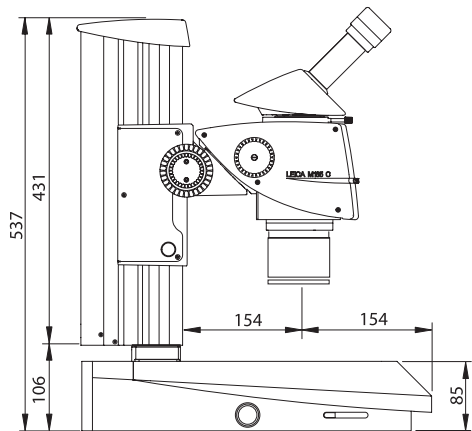
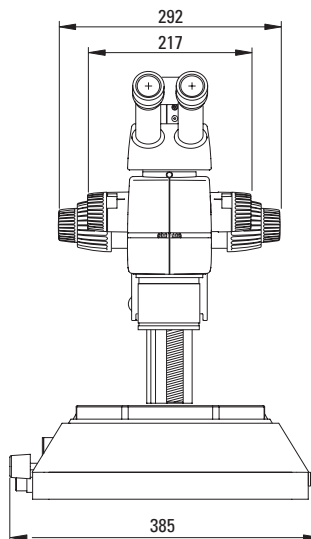
with TL3000 ST transmitted-light base and manual focus

Dimensions in mm



## LEICA M165 C/LEICA M125 C DIMENSIONS

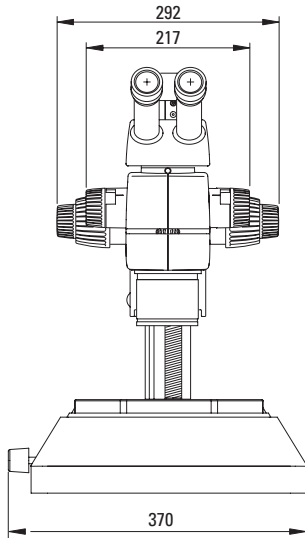
with TL4000 RC transmitted-light base and manual focus



## LEICA M205 C DIMENSIONS

with TL5000 Ergo transmitted-light base  
and manual focusing drive

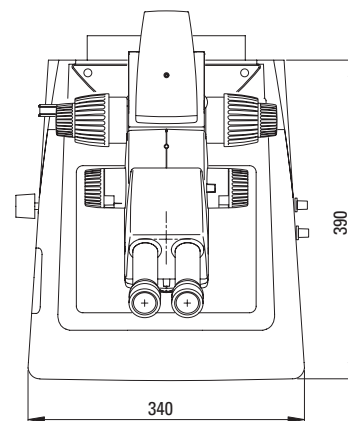
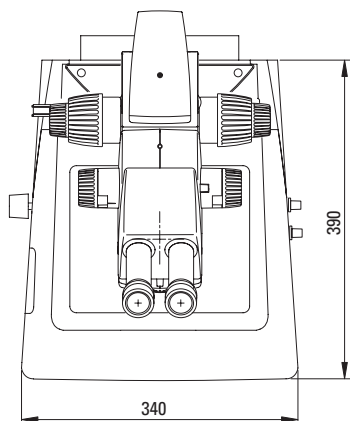
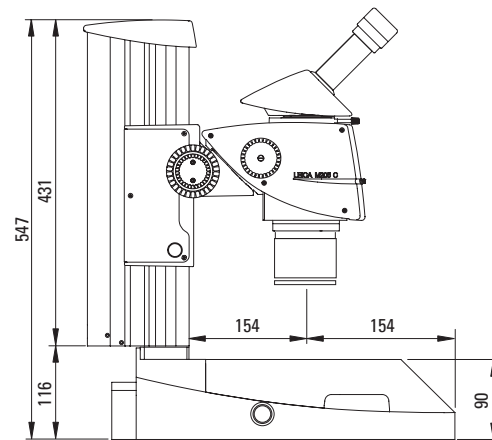
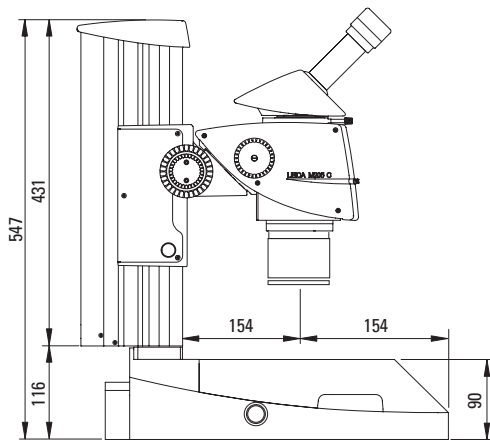
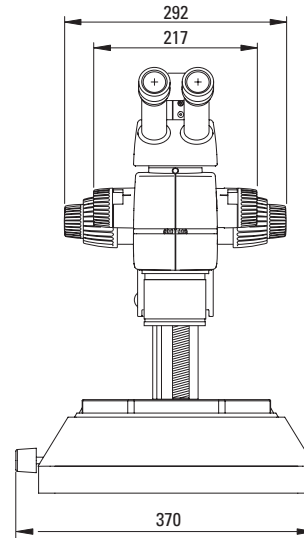
Dimensions in mm



## LEICA M205 C DIMENSIONS

with TL4000 BDF transmitted-light base  
and manual focusing drive

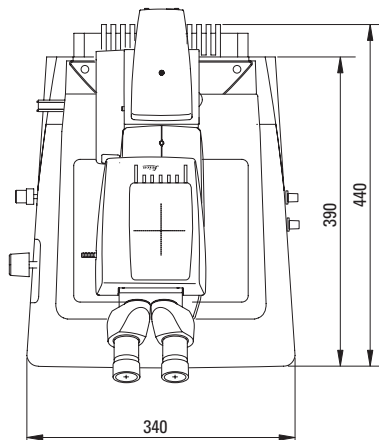
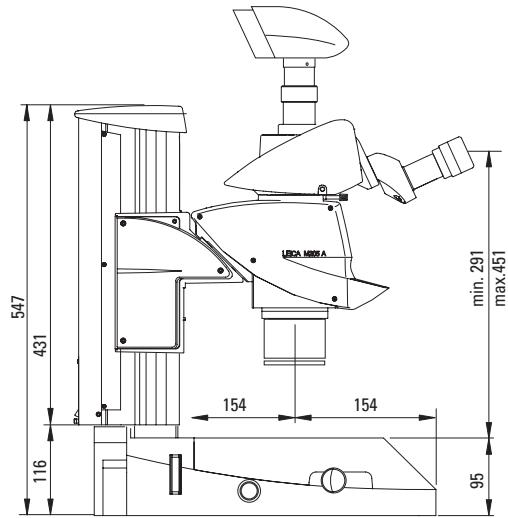
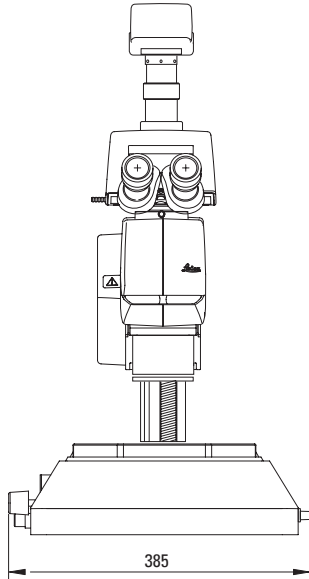
Dimensions in mm



## LEICA M205 A DIMENSIONS

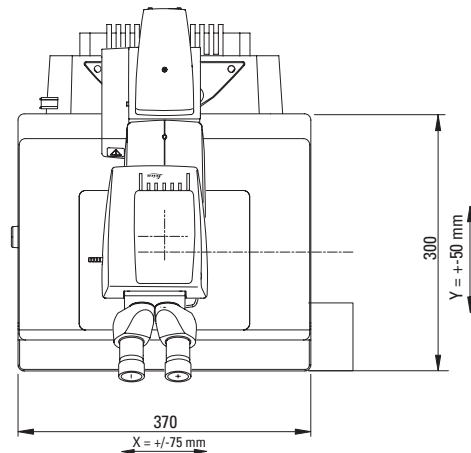
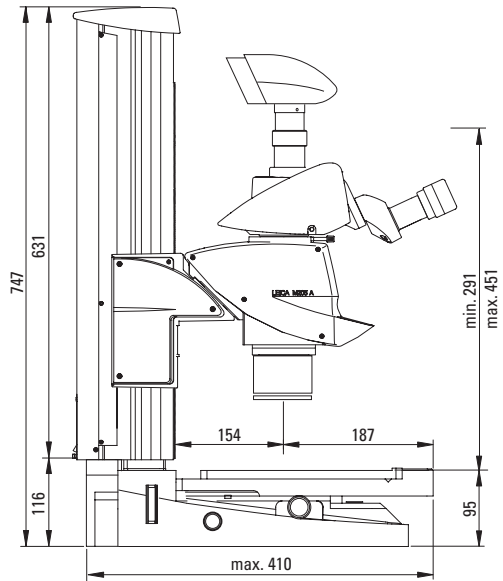
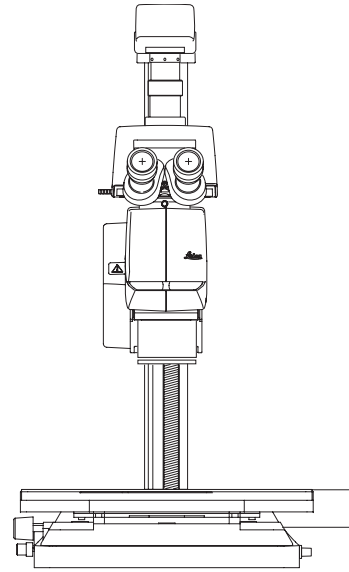
with TL4000 RCI transmitted-light base and motorized focus

Dimensions in mm



## LEICA M205 A DIMENSIONS

with TL4000 RCI transmitted-light base,  
Leica IsoPro Motorized Cross-stage and motorized focus



Leica Microsystems (Schweiz) AG · Max-Schmidheiny-Strasse 201 · 9435 Heerbrugg, Switzerland  
T +41 71 726 34 34 · F +41 71 726 34 44

[www.leica-microsystems.com](http://www.leica-microsystems.com)

CONNECT  
WITH US!

